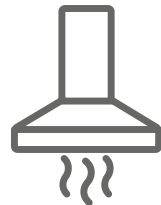


OPERATING INSTRUCTIONS
HASZNÁLATI UTASÍTÁS
INSTRUCȚIUNE DE DESERVIRE
ІНСТРУКЦІЯ З ЕКСПЛУАТАЦІЇ
ИНСТРУКЦИЯ ЗА ОБСЛУЖВАНЕ
ИНСТРУКЦИЯ ПО ЭКСПЛУАТАЦИИ
ПАЙДАЛАНУ БОЙЫНША НҰСҚАУ
NAUDOJIMO INSTRUKCIJA
LIETOŠANAS INSTRUKCIJA
KASUTUSJUHEND
UPUTSTVO ZA UPOTREBU

EN
HU
RO
UK
BG
RU
KK
LT
LV
ET
SR

**Kitchen extractor hood / Tűzhely feletti páraelszívó /
Hotă pentru plită / Кухонна витяжка / Кухненски
абсорбатор / Корпус вытяжки / Асүй плитасы
үстіндегі сіңіргіш / Gartraukio korpusas / Tvaika
nosūcēja korpuss / Pliidipealne õhupuhassti / Korpus
nape**



OTC*



EN- Table of contents

NOTES ON SAFETY	8
UNPACKING	11
DISPOSAL OF OLD APPLIANCE	11
OPERATION	12
OTHER IMPORTANT INFORMATION CONCERNING THE OPERATION OF THE HOOD	17
CLEANING AND MAINTENANCE	18
MAINTENANCE	18
GREASE FILTER	18
ACTIVATED CHARCOAL FILTER	18
LIGHT	18
WARRANTY AND AFTER SALES SERVICE	19
WARRANTY	19

HU- Tartalomjegyzék

BIZTONSÁGI UTASÍTÁSOK	21
KICSOMAGOLÁS	25
A HASZNÁLT KÉSZÜLÉKEK ELTÁVOLÍTÁSA	25
HASZNÁLAT	26
A PÁRAELSZÍVÓ MŰKÖDÉSÉVEL KAPCSOLATOS EGYÉB FONTOS INFORMÁCIÓK	31
TISZTÍTÁS ÉS KARBANTARTÁS	32
KARBANTARTÁS	32
ZSÍRSZŰRŐ	32
SZÉNSZŰRŐ	32
VILÁGÍTÁS	32
GARANCIA ÉS VÁSÁRLÁS UTÁNI SZERVIZ	33
GARANCIA	33

RO - Cuprins

INDICAȚII PRIVIND SIGURANȚA	35
DESPAȚHETARE	39
ÎNDEPARTAREA DISPOZITIVELOR UZATE	39
OPERARE	40
ALȚE INFORMAȚII IMPORTANTE PENTRU OPERAREA HOȚEI	45
CURĂȚAREA ȘI ÎNTREȚINEREA	46
ÎNȚREȚINERE	46
FILTRUL ÎMPOTRIVA GRĂSIMILOR	46
FILTRUL DE CARBON	46
SISTEM DE ILUMINARE	46
GARANȚIE, SERVICII POSTVÂNZARE	47
GARANȚIA	47

UK - Зміст

ВКАЗІВКИ ЩОДО БЕЗПЕКИ ЕКСПЛУАТАЦІЇ	49
РОЗПАКУВАННЯ	53
УТИЛІЗАЦІЯ ЗНОШЕНОГО ОБЛАДНАННЯ КОРИСТУВАЧАМИ	53
ЕКСПЛУАТАЦІЯ	54
ІНША ВАЖЛИВА ІНФОРМАЦІЯ ПРО РОБОТУ ВИТЯЖКИ	59
ЧИЩЕННЯ І ДОГЛЯД	60
ДОГЛЯД	60
ЖИРОВЛОВЛЮВАЛЬНИЙ ФІЛЬТР	60
ВУГІЛЬНИЙ ФІЛЬТР	60
ОСВІТЛЕННЯ	60
ГАРАНТІЯ, ОБСЛУГОВУВАННЯ ПІСЛЯ ПРОДАЖУ	61
ГАРАНТІЯ	61

BG - Съдържание

ПРЕПОРЪКИ ОТНОСИТЕЛНО БЕЗОПАСНОСТТА	63
РАЗОПАКОВАНЕ	67
ОБЕЗВРЕЖДАНЕ НА ИЗНОСЕНИ УРЕДИ	67
ОБСЛУЖВАНЕ	68
ДРУГИ ВАЖНИ ИНФОРМАЦИИ ЗА ОБСЛУЖВАНЕТО НА АБСОРБАТОРА	73
ПОЧИСТВАНЕ И ПОДДРЪЖКА	74
ПОДДРЪЖКА	74
ФИЛТЪР ЗА МАЗНИНИ	74
ВЪГЛЕН ФИЛТЪР	74
ОСВЕТЛЕНИЕ	74
ГАРАНЦИЯ, СЛЕД ПРОДАЖБЕНО ОБСЛУЖВАНЕ	75
ГАРАНЦИЯ	75

RU - Содержание

УКАЗАНИЯ ПО ТЕХНИКЕ БЕЗОПАСНОСТИ	77
РАСПАКОВКА	81
УТИЛИЗАЦИЯ ИЗНОШЕННОГО ОБОРУДОВАНИЯ	81
ЭКСПЛУАТАЦИЯ	82
ПРОЧАЯ ВАЖНАЯ ИНФОРМАЦИЯ О РАБОТЕ ВЫТЯЖКИ	87
ЧИСТКА И УХОД	88
КОНСЕРВАЦИЯ	88
ЖИРОУЛАВЛИВАЮЩИЙ ФИЛЬТР	88
УГОЛЬНЫЙ ФИЛЬТР	88
ОСВЕЩЕНИЕ	88
ГАРАНТИЯ, ПОСЛЕПРОДАЖНОЕ ОБСЛУЖИВАНИЕ	89
ГАРАНТИЯ	89

КК - Мазмұны

ҚАУІПСІЗДІК ТЕХНИКАСЫ БОЙЫНША НҰСҚАУЛАР	91
ОРАУДАН АШУ	95
ПАЙДАЛАНЫЛҒАН ҚҰРЫЛҒЫЛАРДЫ КӘДЕГЕ ЖАРАТУ	95
ПАЙДАЛАНУ	96
СОҒҒЫШТЫҢ ЖҰМЫСЫ ТУРАЛЫ ӨЗГЕ МАҢЫЗДЫ АҚПАРАТ	101
ТАЗАРТУ ЖӘНЕ КҮТІМ	102
КОНСЕРВАЦИЯЛАУ	102
МАЙ АУЛАҒЫШ СҮЗГІ	102
БҰРЫШТЫҚ СҮЗГІ	102
ЖАРЫҚТАҢДЫРУ	102
КЕПІЛДІК, САТҚАННАН КЕЙІНГІ ҚЫЗМЕТ КӨРСЕТУ	103
КЕПІЛДІК	103

LT - Turinys

SAUGOS NURODYMAI	105
IŠPAKAVIMAS	108
PANAUDOTŲ PRIETAISŲ ŠALINIMAS	108
NAUDOJIMAS	109
KITA SVARBI INFORMACIJA APIE GARTRAUKIO NAUDOJIMĄ	114
VALYMAS IR PRIEŽIŪRA	115
PRIEŽIŪRA	115
RIEBALŲ FILTRAS	115
ANGLINIS FILTRAS	115
APŠVIETIMAS	115
GARANTIJA, PRIEŽIŪRA PO PARDAVIMO	116
GARANTIJA	116

LV - Satura rādītājs

DROŠĪBAS NORĀDĪJUMI	118
IZSAIŅOŠANA	121
NOLIĒTOTO IERĪČU UTILIZĀCIJA	121
APKALPE	122
CIŅA SVARĪGA INFORMĀCIJA PAR TVAIKA NOSŪCĒJA LIETOŠANU	127
TĪRĪSANA UN KOPŠANA	128
UZTURĒŠANA	128
PRETTAUKU FILTRS	128
OGLES FILTRS	128
APGAISMOJUMS	128
GARANTIJAS UN PĒCGARANTIJAS PAKALPOJUMI	129
GARANTIJA	129


ET - Sisukord

OHUTUSJUHISED	131
LAHTIPAKKIMINE	135
KASUTATUD SEADMETE UTILISEERIMINE	135
KÄSITSEMINE	136
MUU OLULINE TEAVE ÕHUPUHASTI KASUTAMISE KOHTA	141
PUHASTAMINE JA HOOLDUS	142
HOOLDUS	142
RASVAFILTER	142
SÖEFILTER	142
VALGUSTUS	142
GARANTII, MÜÜGIJÄRGNE HOOLDUS	143
GARANTII	143

SR - Sadržaj

BEZBEDNOSNE NAPOMENE	145
UKLANJANJE PAKOVANJA	148
ODLAGANJE ISTROŠENIH UREĐAJA	148
UPOTREBA	149
OSTALE VAŽNE INFORMACIJE O UPOTREBI NAPE	154
ČIŠĆENJE I ODRŽAVANJE	155
ODRŽAVANJE	155
FILTER ZA MASNOĆU	155
UGLJENI FILTER	155
OSVETLJENJE	155
GARANCIJA, USLUGE POSLE PRODAJE	156
GARANCIJA	156

Dear customer,

From now on, your daily housework will be easier than ever before. Your appliance  **Hansa** Haushaltsgeräte is exceptionally easy to use and extremely efficient. After reading these Operating Instructions, operating the appliance will be easy.

Before being packaged and leaving the manufacturer, the appliance was thoroughly checked with regard to safety and functionality.

Before using the appliance, please carefully read these Operating Instructions. By following these instructions carefully you will be able to avoid any problems in using the appliance. It is important to keep these Operating Instructions and store them in a safe place so that they can be consulted at any time.

Follow these instructions carefully in order to avoid possible accidents.

Sincerely,

 **Hansa**
Haushaltsgeräte

NOTES ON SAFETY

- Before using the appliance, please carefully read this manual!
- The appliance is designed for household use only.
- The manufacturer reserves the right to introduce changes, which do not affect operation of the appliance.
- The manufacturer shall not be liable for any damage or fire caused by the appliance resulting from failure to follow instructions in this manual.
- Cooker hood is designed to remove cooking odours. Do not use cooker hood for other purposes.
- Connect the cooker hood operating in extraction mode to a suitable ventilation duct (do NOT connect the cooker to smoke or flue gas ducts, which are in use). It requires installation of the air extraction duct to the outside. The length of the duct (usually a pipe of Ø 120 or 150 mm) should not be longer than 4-5 m. An air extraction duct is also required for telescopic and furniture hoods in absorption mode.
- Cooker hood operating in air recirculation mode requires the installation of an activated charcoal filter. In this case, installing an extractor duct is not required, however it is recommended to install an air guide vane (Mainly in chimney cooker hoods).
- The cooker hood features independent lighting and exhaust fan that can be operated at one of several speeds.
- Depending on the type, the hood is designed to be permanently attached to a vertical wall over a gas or electric stove (chimney and universal hoods); on the ceiling over a gas or electric stove (island hoods); on the vertical built in furniture

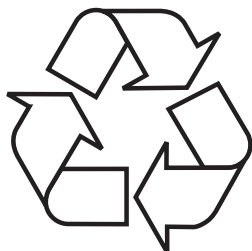
over a gas or electric stove (telescopic and built-in hoods). Before installing, make sure that the wall/ceiling structure is strong enough to suspend the hood. Some hoods are very heavy.

- For details of the installation distance above an electric hob please refer to product technical sheet. If the installation instructions of the gas cooker specify a greater distance, this must be taken into account (Fig. 1).
- Do not leave an open flame under the hood. When the pots are removed from the burner, set the minimum flame. Always make sure that the flame does not extend outside the pot, because it causes unwanted loss of energy and a dangerous concentration of heat.
- When cooking on fat, supervise the pans constantly, because overheated fat can ignite.
- Unplug the appliance before any cleaning, replacing the filter or repair work.
- Cooker hood grease filter should be cleaned at least once a month, because the filter saturated with fat is flammable.
- Ensure adequate ventilation (air flow) if other equipment such as liquid fuel stoves or heaters are operated in the room in addition to the cooker hood. When the cooker hood is simultaneously operated with burning appliances requiring adequate fresh air from the room to work properly, their safe operation is possible if under pressure around these appliances is a maximum of 0.004 mbar (this does not apply when the cooker hood is used as an odour filter).
- Do not lean on the hood.
- The hood should be cleaned regularly both inside and out (AT LEAST ONCE A MONTH, following the indications concerning maintenance provided in this manual).. Failure to adhere to the rules concerning cleaning the hood and replacing filters

results in a fire risk.

- If the power cord is damaged it should be replaced by a specialised service centre.
- Ensure that it is possible to disconnect the appliance from the mains by removing the plug or switching off the bi-polar switch.
- This appliance is not intended for use by persons (including children) with physical, mental or sensory handicaps, or by persons inexperienced or unfamiliar with the appliance, unless under supervision or in accordance with the instructions as communicated to them by persons responsible for their safety.
- Particular attention should be paid not to allow unaccompanied children to use the appliance.
- Make sure voltage indicated on the nameplate corresponds to the local mains supply voltage.
- Before use, extend and straighten the power cord.
- Packaging materials (bags, polyethylene, polystyrene, etc.) should be kept away from children during unpacking.
- Before connecting the hood to the mains power supply always check that the power cord is properly installed and is not trapped by the appliance. Do not connect the appliance to the mains until assembly is complete.
- Do not operate your kitchen hood without the aluminium grease filters.
- It is strictly forbidden to cook dishes under on an open flame (flambé) under your kitchen hood.
- Always strictly adhere to regulations issued by the competent local authorities regarding the technical and safety requirements for fume extraction.
- Failing to tighten bolts and fasteners in accordance with these instructions may endanger life and health.
- Hanging kitchen hoods operate only in air circulation / odour absorber mode

UNPACKING

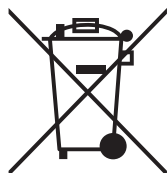


During transportation, protective packaging was used to protect the appliance against any damage. After unpacking, please dispose of all elements of packaging in a way that will not cause damage to the environment.

All materials used for packaging the appliance are environmentally friendly; they are 100% recyclable and are marked with the appropriate symbol.

Important! Packaging materials (bags, polyethylene, polystyrene, etc.) should be kept away from children during unpacking.

DISPOSAL OF OLD APPLIANCE



In accordance with European Directive 2012/19/EU and Polish legislation regarding used electrical and electronic goods, this appliance is marked with the symbol of the crossed-out waste container. This marking indicates that the appliance must not be disposed of together with other household waste

after it has been used.

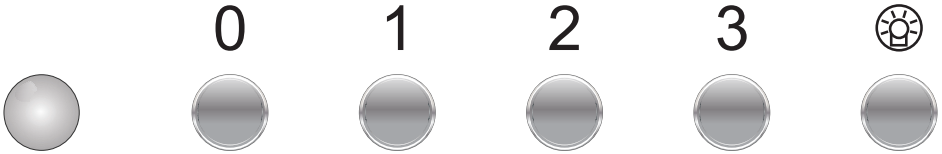
The user is obliged to hand it over to waste collection centre collecting used electrical and electronic goods. The collectors, including local collection points, shops and local authority departments provide recycling schemes.

Proper handling of used electrical and electronic goods helps avoid environmental and health hazards resulting from the presence of dangerous components and the inappropriate storage and processing of such goods.

OPERATION


Kitchen hood controls

Control Panel is shown in Figure 4, for reference it is also shown below:



The control panel is equipped with buttons (isostat switch). To turn on the kitchen hood, press one of the button to select the desired speed:

- 1- Low speed. Use this speed when cooking a little food with hardly any fumes.
- 2- Medium speed. Use this speed when cooking multiple dishes at the same time with moderate amount of fumes.
- 3- High speed. Use this speed when frying or grilling, with large amount of fumes.
- 0- Turn off the appliance

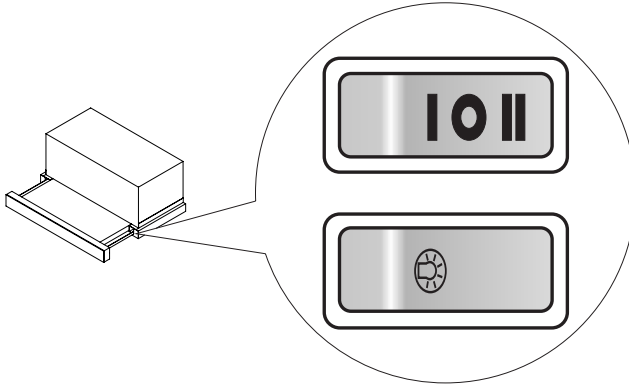
Press  to turn the lighting on/off. The lighting operates independently of hood fan.

Selected kitchen hood models have an LED indicator that changes colour depending on fan speed.

OPERATION

Kitchen hood controls


Control Panel is shown in Figure 4, for reference it is also shown below:



The control panel is equipped with buttons (rocker switch). You can use the buttons once the retractable front panel is ejected. Telescopic kitchen hood is equipped with a limit switch. Every time, when you eject the retractable front panel, the hood fan will start at the previously set speed.

Available speeds (when retractable front panel ejected):

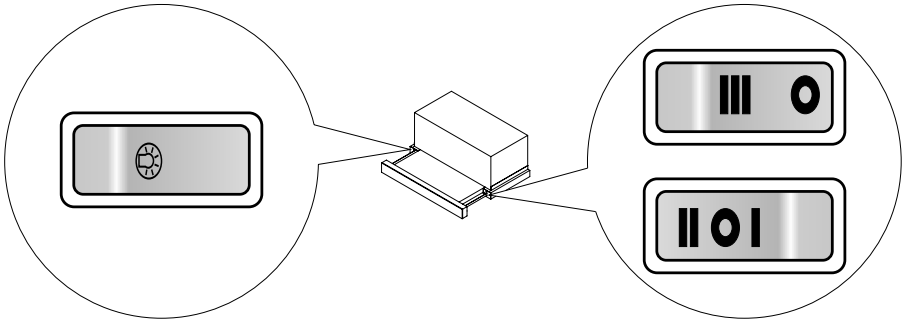
- I- Low speed. Use this speed when cooking a little food with hardly any fumes.
- II- High speed. Use this speed when frying or grilling, with large amount of fumes.
- The hood off (ejecting the retractable front panel will not start the fan).

Press  to turn the lighting on/off. The lighting operates independently of hood fan. Limit switch also turns off the lights when you retract the front panel.

OPERATION

Kitchen hood controls


Control Panel is shown in Figure 4, for reference it is also shown below:



The control panel is equipped with buttons (rocker switch). You can use the buttons once the retractable front panel is ejected. Telescopic kitchen hood is equipped with a limit switch. Every time, when you eject the retractable front panel, the hood fan will start at the previously set speed.

Available speeds (when retractable front panel ejected):

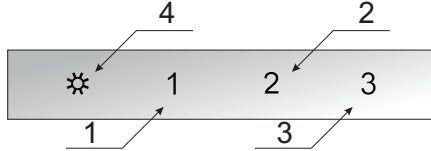
- I- Low speed. Use this speed when cooking a little food with hardly any fumes.
- II- Medium speed. Use this speed when cooking multiple dishes at the same time with moderate amount of fumes.
- III- High speed. Use this speed when frying or grilling, with large amount of fumes.
- The hood off (ejecting the retractable front panel will not start the fan).

Press  to turn the lighting on/off. The lighting operates independently of hood fan. Limit switch also turns off the lights when you retract the front panel.

OPERATION

Kitchen hood controls

Control Panel is shown in Figure 4, for reference it is also shown below:



Control Panel

It is equipped with a touch controls. Touch one the sensors to enable the desired function:

- 1 Low speed (1). Use this speed when cooking a little food with hardly any fumes.
- 2 Medium speed (2). Use this speed when cooking multiple dishes at the same time with moderate amount of fumes.
- 3 High speed (3). Use this speed when frying or grilling, with large amount of fumes.
- 4 Lighting on/off The lighting operates independently of hood fan.

Touch sensor corresponding to the selected speed to turn off the kitchen hood.

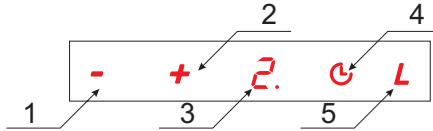
Off Timer

Use off timer to turn off the hood after a specified time. Use off timer to filter the fumes out of the air after cooking. The delay time is about 15 minutes. To enable Off-Timer at any fan speed touch the active speed sensor for at least 3 seconds. Sensor flashes. Flashing indicates that Off-Timer has been enabled. To cancel Off-Timer touch the active speed sensor. The appliance will turn off. To turn on the appliance, touch the sensor corresponding to the desired fan speed. Cancelling the off-timer does not turn off the lighting.

OPERATION

Cooker hood controls

Control Panel is shown in Figure 4, for reference it is also shown below:



Control Panel

It is equipped with a touch controls. Touch one the sensors to enable the desired function:




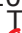




- 1 – Reduce fan speed
- 2 – Increase fan speed
- 3 – Speed display The hood fan can run at 3 or 4 speeds (depending on the model).
- 4 – Off timer
- 5 – Lighting on/off The lighting operates independently of hood fan.

Available fan speeds:

- Low speed (1). Use this speed when cooking a little food with hardly any fumes.
- Medium speeds (2 and 3*). Use this speed when cooking multiple dishes at the same time with moderate amount of fumes.
- High speed (4*). Use this speed when frying or grilling, with large amount of fumes.

* Varies depending on the model

Off Timer

Use off timer to turn off the hood after a specified time. Use off timer to filter the fumes out of the air after cooking. Maximum delay time is 90 minutes. Touch  to cancel the off-timer at any time. The number  will flash on the display. Then use  and  to select the delay in minutes, 1 – 10 minutes, 2 – 20 minutes ... 5 – 50 minutes). Touch  again to activate the function. The off timer is set a dot will flash on by the digit on the display. Touch  to cancel the off timer. Touch  to reduce the delay time down to zero. Touch  to confirm the off-timer has been cancelled. Cancelling the off-timer does not turn off the lighting.

Other important information concerning the operation of the hood

Operation in air circulation / odour filter mode. In this mode, the filtered air returns to the room through the outlets. Install activated charcoal filter in this setting. It is recommended to install the air guide (available depending on the model, mainly in chimney cooker hoods).

Air extraction operation: When cooker hood operates in extraction mode, air is discharged outside through an extraction duct. Remove activated charcoal filter in this setting. The cooker hood is connected to the air outlet opening using a rigid or flexible extraction duct with a diameter of 150 or 120 mm, and the appropriate clamps, which must be purchased at a hardware store. The appliance should be installed by a qualified installer.

Fan speed: Lowest and medium fan speed is used in normal conditions and less intense odours, while the highest speed is used only when cooking odours are very intense, such as during frying or grilling.

Note (applies to universal hoods only): Due to the design of universal hoods you need to manually change the mode of operation. See Figure 8 for instructions on how to change the mode.

Note (only applies to telescopic and in-built kitchen hoods): Furniture and telescopic cooker hoods operating in air recirculation mode require installation of the exhaust duct. The other end of the duct should be directed to the room as it will discharge filtered air.

Note: Hanging kitchen hoods operate only in air circulation / odour absorber mode

CLEANING AND MAINTENANCE

Maintenance

Regular maintenance and cleaning of the appliance will ensure trouble-free operation of the cooker hood and extend its life. Especially make sure that the grease filter and activated charcoal filter are replaced according to manufacturer's recommendations.

- Do not use a soaked cloth, sponge, or water jet.
- Do not use solvents or alcohol, as they may tarnish lacquered surfaces.
- Do not use caustic substances, especially for cleaning stainless steel.
- Do not use a rough or abrasive cloth.
- It is recommend to use a damp cloth and a neutral detergent.

Note: After several washes in the dishwasher, the colour of the aluminium filter may change. The change of colour does not indicate improprieties or the necessity to change it.

Grease filter

For normal hood operation, aluminium grease filter should be cleaned every month in the dishwasher or by hand using a mild detergent or liquid soap.

Dismantling of aluminium grease filter is shown on Figure 5.

Acrylic filter is used in some models. This filter should be replaced at least once every two months or more frequently if the appliance is used intensively.

Activated charcoal filter

Charcoal filter is used only when the cooker hood is not connected to the ventilation duct. Activated charcoal filter can absorb odours until saturated. Charcoal filter is not suitable for washing or regeneration and should be replaced at least once every two months or more frequently if the appliance is used intensively.

Dismantling of charcoal filter is shown on Figure 6.

Light

Use incandescent / halogen / LED modules of the same specification as those factory-installed in the appliance. See Figure 7 for details how to replace lights. If there is no such figure in this manual, please contact authorised service to replace the lighting module.

WARRANTY AND AFTER SALES SERVICE

Warranty

Warranty service as stated on the warranty card. The manufacturer shall not be held liable for any damage caused by improper use of the product.



The manufacturer recommends that all repairs and adjustments be carried out by the Factory Service Technician or the Manufacturer's Authorized Service Point. Repairs should be carried out by a qualified technician only.


Manufacturer's Declaration

The manufacturer hereby declares that this product meets the requirements of the following European directives:

- **Low Voltage Directive 2014/35/EC**
- **Electromagnetic Compatibility (EMC) Directive 2014/30/EC**
- **ErP Directive 2009/125/EC**
- **Directive RoHS 2011/65/EC**

and has thus been marked with the  symbol and been issued with a declaration of compliance made available to market regulators.

Tisztelt Ügyfelünk

A mai naptól kezdve az Ön mindennapi teendői egyszerűbbek lettek mint valaha. A készülék  **Hansa** a könnyű használat és kiváló hatékonyság rendkívüli kombinációja. A használati utasítás elolvasását követően Önnek nem okoz gondot a kezelése.

A készülék, mely elhagyta a gyárat, gondosan ellenőrizve lett a csomagolás előtt a biztonságot és funkcionalitást illetően.

Kérjük Önöket, hogy a készülék üzembe helyezése előtt figyelmesen olvassák el a használati utasítást. A használati utasításban foglaltak betartása segít megelőzni a helytelen üzemeltetést. A használati utasítást meg kell tartani és el kell rakni úgy, hogy szükség esetén kéz alatt legyen.

A balesetek elkerülése érdekében gondosan követni kell a használati utasításban foglaltakat.

Tisztelettel,

 **Hansa**
Haushaltsgeräte

BIZTONSÁGI UTASÍTÁSOK

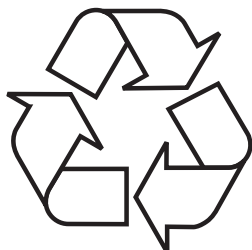
- A páraelszívót csak a jelen használati utasítás elolvasását követően lehet használni.
- A készüléket csakis háztartásbeli használatra tervezték.
- A gyártó fenntartja magának a jogot olyan újítások bevezetésére, melyek nem lesznek hatással a készülék használatára.
- A gyártó nem vállal felelősséget a készülék által okozott károkért illetve tüzesetekért, melyeket a jelen használati utasításban foglaltak be nem tartása okozott.
- A tűzhely feletti páraelszívó a konyhai gőzök elszívására használatos. Nem szabad más célra használni.
- Az elszívó üzemmódban dolgozó páraelszívót a megfelelő szellőző csatornához kell csatlakoztatni (nem szabad kéményhez, füstelvezető vagy égéstermék elvezető csatornához csatlakoztatni, amelyek használatban vannak). A páraelszívóhoz csatlakoztatni kell tömlőt, mely elvezeti a levegőt kívülre. A tömlő hossza (általában 120 mm illetve 150 mm Ø cső) nem haladhatja meg a 4-5 m-t. A légelvezető tömlő szintén szükséges a teleszkópos és a bútorba beépített, keringtető üzemmódban üzemelő páraelszívónál.
- A keringtető üzemmódban üzemelő páraelszívóknál aktív széntartalmú szűrő felszerelése szükséges. Ebben az esetben nincs szükség levegő elvezető cső felszerelésére, viszont ajánlott a levegő kivezető kémény felszerelése (csak a kéményes páraelszívóknál).

- A páraelszívó független világítással és elszívó ventilátorral rendelkezik, mely különböző sebességfokozatokra állítható.
- A készülék verziójától függően, a páraelszívót egy függőleges falra kell szerelni a gáz- illetve elektromos tűzhely fölé (kéményes és univerzális páraelszívók); a gáz- illetve elektromos tűzhely fölött lévő mennyezetre (sziget páraelszívók); egy függőleges falra a gáz- illetve elektromos tűzhely fölött, beépítve egy konyhabútorba (teleszkópos és bútorokba beépített páraelszívók). Mielőtt elkezdené a felszerelést, győződjön meg arról, hogy a fal / mennyezet szerkezete elbírja a páraelszívó súlyát. A páraelszívó néhány modellje igen nehéz.
- Az elektromos tűzhely fölötti telepítési magasság a készülék termék adatlapján található (a készülék műszaki specifikációja). Ha a gáztűzhely használati utasításában nagyobb távolságok lettek előírva, akkor ezeket kell figyelembe venni (1 rajz)
- A páraelszívó alatt tilos a nyílt láng használata. Amikor levesszük az edényt a tűzhelyről, állítsuk a lángot minimumra. Mindig ellenőrizzük, hogy a lángok nem csapnak-e a ki az edény alól, mivel ez energiaveszteséget illetve veszélyes hő koncentrációt okozhat.
- Ha olajat használunk a sütéshez a páraelszívó alatt, az üzemeltetés teljes időtartama alatt tartsa szemmel az ételt, ugyanis a túlmelegedett olaj tüzet okozhat.
- Mielőtt kicserélnénk a zsírszűrő betéteket illetve minden javítás, karbantartás előtt áramtalanítsuk a készüléket kihúzva a dugót a konnektorból.
- A zsírszűrő betéteket legalább havonta meg kell tisztítani. A zsírral szennyezett zsírszűrő betétek könnyen lángra lobbanhatnak.

- Ha a helyiségben, ahol a páraelszívó üzemel, más nem elektromos készüléket is használunk (mint pl. a olajkemence, átfolyós vízmelegítő, bojler) biztosítani kell a jó szellőzést (levegőátfolyás). A biztonságos használat akkor lehetséges, ha a páraelszívó és a többi készülék egyszerre való használatánál, ott, ahol a készülékek el vannak helyezve, a légnyomás nem haladja meg 0,004 milibart (ez a pont érvényét veszti amikor a keringtető üzemmódban használjuk a páraelszívót)
- Nem szabad a páraelszívóra támaszkodni.
- A páraelszívót gyakran meg kell tisztítani, mind kívülről, mind pedig belülről (LEGALÁBB HAVONTA EGYSZER, a jelen használati utasításban foglalt karbantartási útmutatók betartásával). A páraelszívó tisztítására és a szűrők cseréjére irányuló utasítások be nem tartása tűzveszélyt okozhat.
- Ha a csatlakozó kábel megsérül, ki kell cserélni egy erre hivatott szakszervizben.
- Biztosítani kell a készülék kikapcsolhatóságát az áramforrásból, a csatlakozó dugó kihúzása illetve a kétpólusú megszakító gomb megnyomása által.
- Ezt a készüléket nem használhatják olyan személyek (többek között gyerekek) akik csökkent fizikai, érzékszervi vagy értelmi képességűek, vagy hiányzik a megfelelő tapasztalatuk vagy a tudásuk, hacsak nem felügyeli őket egy a biztonságukért felelős személy, aki a használati utasítás alapján útmutatókkal látja el őket.
- Különösen arra kell ügyelni, hogy a felügyelet nélkül maradt gyerekek ne játszhassanak a készülékkel.
- Győződjünk meg arról, hogy a készülék belsejében található típuscímkén feltüntetett hálózati feszültség és csatlakozó értékek megegyeznek-e a lakásban található értékekkel.
- A szerelési munkálatok megkezdése előtt tekerjük ki és egyenesítsük ki a csatlakozókábelt.

- A csomagolóanyagokat (polietilén zacskók, polisztirol stb.) a kicsomagolás közben tartsuk távol a gyerekektől.
- Mielőtt a készüléket a hálózatra csatlakoztatná, mindig ellenőrizze, hogy a tápkábel megfelelően van-e telepítve, és hogy NEM szorult-e be a páraelszívó alá az összeszerelési műveleteket során. Ne csatlakoztassa a készüléket az elektromos hálózatra a telepítés befejezése előtt.
- Tilos a páraelszívó használata ha nincs rá felszerelve az alumínium zsírszűrő.
- Szigorúan tilos a páraelszívó alatt a nyílt láng használata (flambrózás).
- Az égéstermék elvezetésével kapcsolatos biztonsági és műszaki követelmények alkalmazásánál szigorúan be kell tartani az illetékes helyi hatóságok rendelkezéseit.
- A csavarok illetve egyéb rögzítő elemek nem megfelelő – vagyis a jelen használati utasítással nem egyező - meghúzása és telepítése veszélyt jelenthet az emberi egészségre és életre.
- A lelógó páraelszívók csakis keringtető üzemmódban üzemelnek.

KICSOMAGOLÁS



A készülék a szállítás idejére megfelelő módon be lett csomagolva a biztonság érdekében. Miután kicsomagoltuk a készüléket, a csomagolást környezetkímélő módon kell eltakarítani.

Az összes csomagolóanyag a környezet számára ártalmatlan, 100% újrahasználatos és megfelelő jelekkel van

ellátva.

Figyelem! A csomagolóanyagokat (polietilén zacskók, polisztirol stb.) a kicsomagolás közben tartsuk távol a gyerekektől.

A HASZNÁLT KÉSZÜLÉKEK ELTÁVOLÍTÁSA



Ez a készülék el lett látva az 2012/19/EU direktíva valamint a lengyel, használt elektronikai cikkekről szóló törvény szerinti jellel – egy keresztülhúzott hulladéktartállyal. Ez a jelzés arról tájékoztat, hogy a készülék, miután használata befejeződött, nem kerülhet a szemétkosárba az összes többi

házi hulladékkal együtt.

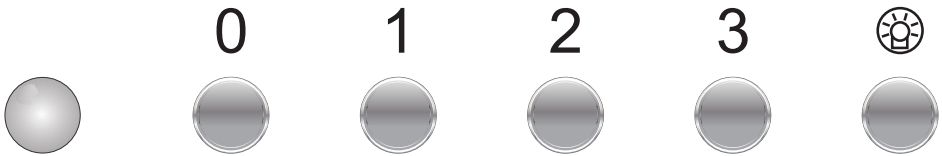
A felhasználó köteles az elhasznált készüléket egy elektronikus és elektromos hulladékgyűjtő pontban leadni. A hulladékgyűjtő pontok, többek között a lokális pontok, a boltok, az önkormányzati szervezetek egy rendszert alkotnak, mely lehetővé teszi a hulladék leadását.

Az elektronikus és elektromos hulladékkal való megfelelő bánásmód segít megelőzni az emberi egészségre és környezetre káros mellékhatásokat, melyeket a hulladékkal való nem megfelelő bánásmód és a hulladékban található veszélyes anyagok okozhatnak.

HASZNÁLAT

Páraelszívó vezérlése

A páraelszívó irányítópanelje a 4 rajzon látható, de emlékeztetőül alább is bemutatjuk:



Az irányítópanel gombokkal van felszerelve (izosztát).

A páraelszívó bekapcsolása céljából válassza ki az egyik alább leírt sebességfokozatot a megfelelő gomb megnyomása által:

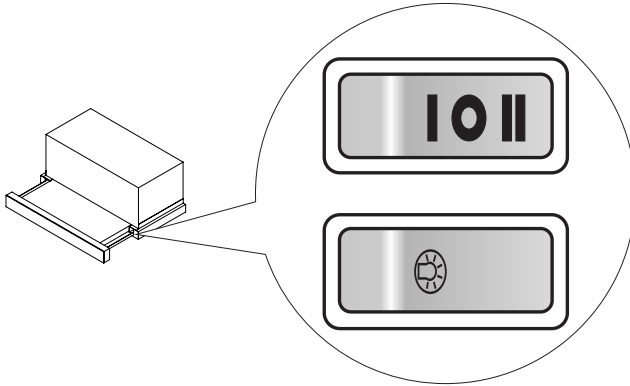
- 1- Legalacsonyabb sebességfokozat. Ezt a sebességfokozatot kismennyiségű gőznél használja.
- 2- Közepes sebességfokozat. Ezt a sebességfokozatot közepes mennyiségű gőznél használja, pl. amikor több ételt főz egyszerre.
- 3- Legmagasabb sebességfokozat. Ezt a sebességfokozatot nagymennyiségű gőznél használja, pl. sütés, illetve grillezés során.
- 0- Kikapcsolja a páraelszívót

A  jelzésű gomb a világítás be- illetve kikapcsolására szolgál. A páraelszívó világítása a motor sebességfokozatától függetlenül működik.

HASZNÁLAT

Páraelszívó vezérlése

A páraelszívó irányítópanelje a 4 rajzon látható, de emlékeztetőül alább is bemutatjuk:



Az irányítópanel gombokkal rendelkezik (bölcső). Ezek a teleszkópos előlap kihúzását követően láthatók. A teleszkópos páraelszívó végkapcsolóval van felszerelve. Minden alkalommal, amikor kihúzza a teleszkópos előlapot, a páraelszívó az előre beállított sebességfokozatban kezd el működni.

A beállítható sebességfokozatok (kihúzott előlapnál):

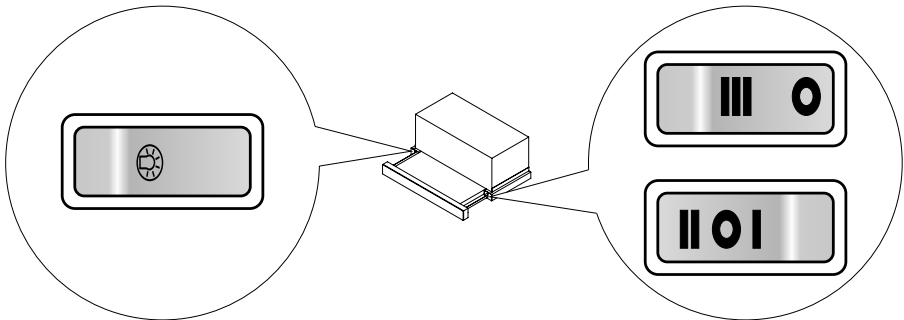
- I- Legalacsonyabb sebességfokozat. Ezt a sebességfokozatot kismennyiségű gőznél használja.
- II- Legmagasabb sebességfokozat. Ezt a sebességfokozatot nagymennyiségű gőznél használja, pl. sütés, illetve grillezés során.
- Kikapcsolt páraelszívó (a panel kihúzása nem eredményezi a páraelszívó motorjának bekapcsolását).

A  jelzésű gomb a világítás be- illetve kikapcsolására szolgál. A páraelszívó világítása a motortól függetlenül működik. A végálláskapcsoló kikapcsolja a világítást amikor Ön becsúsztatja az előlapot.

HASZNÁLAT

Páraelszívó vezérlése

A páraelszívó irányítópanelje a 4 rajzon látható, de emlékeztetőül alább is bemutatjuk:



Az irányítópanel gombokkal rendelkezik (bölcső). Ezek a teleszkópos előlap kihúzását követően láthatók.

A teleszkópos páraelszívó végkapcsolóval van felszerelve. Minden alkalommal, amikor kihúzza a teleszkópos előlapot, a páraelszívó az előre beállított sebességfokozatban kezd el működni.

A beállítható sebességfokozatok (kihúzott előlapnál):

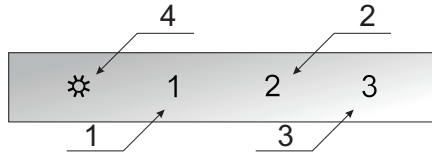
- I- Legalacsonyabb sebességfokozat. Ezt a sebességfokozatot kismennyiségű gőznél használja.
- II- Közepes sebességfokozat. Ezt a sebességfokozatot közepes mennyiségű gőznél használja, pl. amikor több ételt főz egyszerre.
- III- Legmagasabb sebességfokozat. Ezt a sebességfokozatot nagymennyiségű gőznél használja, pl. sütés, illetve grillezés során.
- Kikapcsolt páraelszívó (a panel kihúzása nem eredményezi a páraelszívó motorjának bekapcsolását).

A  jelzésű gomb a világítás be- illetve kikapcsolására szolgál. A páraelszívó világítása a motortól függetlenül működik. A végálláskapcsoló kikapcsolja a világítást amikor Ön becsúsztatja az előlapot.

HASZNÁLAT

Páraelszívó vezérlése

A páraelszívó irányítópanelje a 4 rajzon látható, de emlékeztetőül alább is bemutatjuk:



Irányítópanel

Ez egy érintőszennorral van felszerelve. A kívánt funkció bekapcsolása céljából meg kell érinteni az egyik alábbi mezőt:

- 1 Legalacsonyabb sebességfokozat (1). Ezt a sebességfokozatot kis-mennyiségű gőznél használja.
- 2 Középső sebességfokozat (2). Ezt a sebességfokozatot közepes mennyiségű gőznél használja, pl. amikor több ételt főz egyszerre.
- 3 Legmagasabb sebességfokozat (3). Ezt a sebességfokozatot nagy-mennyiségű gőznél használja, pl. sütés, illetve grillezés során.
- 4 A világítás be- illetve kikapcsolása. A világítás függetlenül működik a páraelszívó motorjától.

A páraelszívó kikapcsolása céljából érintse meg az aktív mező szenzorát.

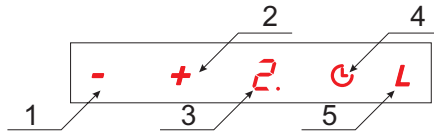
Timer (a páraelszívó késleltetett kikapcsolása)

Ez a funkció a páraelszívó motorjának késleltetett kikapcsolására szolgál. Ezt a funkciót a főzés befejeését követően használhatja a helyiség gőztelenítésére. A késleltetés ideje kb. 15 perc. A késleltetési funkció bekapcsolása céljából a páraelszívó működése közben nyomjon meg és legalább 3 másodpercen keresztül tartson benyomva egy aktív sebességű szenzort. A szenzor elkezd pulzálni. A pulzálás jelzi a késleltetési funkció helyesen történt bekapcsolását. A késleltetési funkció idő előtt történő kikapcsolása céljából nyomja meg az aktív sebességfokozatért felelős szenzort. Ez a készülék kikapcsolásával egyenértékű. Ha folytatni szeretné a működését, ismét állítson be egy sebességfokozatot. A páraelszívó késleltetési funkciója nem okozza a világítás kikapcsolását.

HASZNÁLAT

Páraelszívó vezérlése

A páraelszívó irányítópanelje a 4 rajzon látható, de emlékeztetőül alább is bemutatjuk:



Irányítópanel

Ez egy érintőszennorral van felszerelve. A kívánt funkció bekapcsolása céljából meg kell érinteni az egyik alábbi mezőt:









- 1- Egy fokkal csökkenti a motor sebességét
- 2- Egy fokkal növeli a motor sebességét
- 3- A kijelző mutatja a beállított sebességet. A páraelszívó 3 illetve 4 sebességfokozattal rendelkezik (modelltől függően).
- 4- A páraelszívó késleltetett kikapcsolás funkciója (Timer)
- 5- A világítás be- illetve kikapcsolása. A világítás függetlenül működik a páraelszívó motorjától.

A beállítható sebességfokozatok:

- Legalacsonyabb sebességfokozat (1). Ezt a sebességfokozatot kis-mennyiségű gőznél használja.
- Közepes sebességfokozatok (2 és 3*). Ezt a sebességfokozatot közepes mennyiségű gőznél használja, pl. amikor több ételt főz egyszerre.
- Legmagasabb sebességfokozat (4*). Ezt a sebességfokozatot nagy-mennyiségű gőznél használja, pl. sütés, illetve grillezés során.

* Modelltől függően

Timer (a páraelszívó motorjának késleltetett kikapcsolása)

Ez a funkció a páraelszívó motorjának késleltetett kikapcsolására szolgál. Ezt a funkciót a főzés befejeését követően használhatja a helyiség gőztelenítésére. A maximális késleltetési idő 90 perc. E funkció bekapcsolása céljából bármely sebességfokozaton érintse meg a  szenzort. A kijelzőn pulzálni fog a  számjegy. Majd pedig a  és a  szenzorok segítségével állítsa be az időt az 1-9 tartományban (minden szint 10 percet jelent, például a 2 számjegy 20 perces késleltetést eredményez, s az 5-ös számjegynél a késleltetés 50 perces lesz stb.). Ismételten érintse meg a  szenzort hogy aktiválja a funkciót. A kikapcsolási késleltetési idő helyes beállítását villogó pont jelzi a kijelzőn található számjegynél. A késleltetési funkció idő előtti kikapcsolásához érintse meg a  szenzort. Majd pedig a  szenzorral a késleltetési időt csökkentse a nullára. A páraelszívó késleltetett kikapcsolási funkciójának kikapcsolását hagyja jóvá a  szenzorral. A páraelszívó késleltetett kikapcsolási funkciója nem kapcsolja ki a páraelszívó világítását.

A páraelszívó működésével kapcsolatos egyéb fontos információk

Keringtető üzemmódban való működés: Ebben az üzemmódban a szűrt levegő az erre a célra kialakított nyílásokon keresztül visszatér a helyiségbe. Ebben a beállításban egy szenszűrőt kell felszerelni, és javasoljuk a légfűvő felszerelését (a rendelkezésre állás függ a modelltől, főként kéményes páraelszívóknál kapható).

Elszívó üzemmódban való működés: Az elszívó üzemmódban történő használatnál a levegő a kültérbe van elvezetve egy speciális cső segítségével. Ennél az üzemmódnál el kell távolítani a szenszűrőt. A páraelszívó a levegő elvezető nyíláshoz egy speciális, merev vagy flexibilis 150 mm, illetve 120 mm átmérőjű cső és megfelelő rögzítő elemek segítségével van csatlakoztatva, melyeket az efféle áruk forgalmazásával foglalkozó üzletekben lehet megvásárolni. A telepítést szakképzett szakemberre kell bízni.

A ventilátor sebessége: A legalacsonyabb és a középső sebességfokozatot normális körülmények között és kisméretű gőz kibocsátásnál kell használni, míg a legnagyobb sebességfokozatot a gőzök nagy koncentrációjánál kell használni, mint pl. sütés közben, illetve grillezésnél.

Figyelem (csak az univerzális páraelszívókra vonatkozik): Az univerzális páraelszívók szerkezete manuális üzemmód átállítást igényel. Az üzemmód megváltoztatásának módját a 8. ábra szemlélteti.

Figyelem (csak a beépíthető és teleszkópos páraelszívókra vonatkozik): A bútorba beépített és a teleszkópos páraelszívóknál keringtető üzemmódban levegő elvezető cső felszerelése szükséges. A cső másik végét a helyiségre kell irányítani, ezen keresztül áramlik majd a megszűrt levegő.

Figyelem: A felfüggesztett páraelszívók csakis elszívó üzemmódban üzemelnek.

TISZTÍTÁS ÉS KARBANTARTÁS

Karbantartás

A rendszeres karbantartás és tisztítás megfelelő és hibamentes működést, valamint hosszabb élettartamot biztosít a páraelszívónak. Különös figyelmet kell fordítani arra, hogy a zsírszűrő és az aktív széniszűrő a gyártó utasításainak megfelelően legyen tisztítva és kerüljön kicserélésre.

- Ne használjon nedves rongyot, illetve szivacsot vagy pedig folyóvizet.
- Ne használjon oldószert, illetve alkoholt, ugyanis ezek károsíthatják a festett felületeket.
- Ne használjon maró hatású anyagokat, különösen a rozsdamentes felületek tisztítására.
- Ne használjon kemény, durva rongyot
- Tisztításnál nem invazív hatású szereket és enyhén vizes törlőkendőt ajánlatos használni.

Figyelem: Többszöri, a mosogatógépben történő tisztítást követően az alumínium szűrő színe megváltozhat. A színváltozás nem jelent meghibásodást illetve nincs szükség a szűrő kicserélésére.

Zsírszűrő

Az alumínium zsírszűrőt a páraelszívó normális módon történő használatánál havonta kell tisztítani, mosogatógépben illetve kézi mosogatás által, enyhe hatású mosogatószer illetve folyékony szappan segítségével. Az alumínium zsírszűrő leszerelésének módja az 5. rajzon látható.

Néhány modellnél akril szűrő van alapfelszereltségen. Ezt legalább kéthavonta egyszer kell cserélni, illetve gyakrabban, ha a páraelszívót intenzíven használja.

Széniszűrő

A széniszűrőket csak akkor használjuk, amikor a páraelszívót nem csatlakoztattuk a szellőző rendszerhez. Az aktív szén tartalmazó szűrő magába szívja a főzés közben keletkező szagokat, egészen amíg meg nem telik. Nem lehet a szűrőt megtisztítani illetve újrahasználni, ezért legalább kéthavonta ki kell cserélni, ha intenzíven használjuk a páraelszívót, akkor gyakrabban.

A széniszűrő kicserélésének módját a 6. rajz mutatja.

Világítás

Csak olyan paraméterű izzókat / halogén lámpákat / diódos modulokat szabad használni, mint amilyenek a gyárilag felszereltek voltak. A világítás kicserélésének módját a 7. rajz mutatja. Ha a használati utasításban nem található az ezt bemutató rajz, akkor a világító modul cseréjét csak is a szakszervizben lehet elvégezni.

GARANCIA ÉS VÁSÁRLÁS UTÁNI SZERVIZ

Garancia

Garanciális szolgáltatás a garanciajegy alapján. A gyártó nem felelős a készülék helytelen használat okozta károkért.




A készülék gyártója azt javasolja, hogy az összes javítási, illetve karbantartási tevékenységet a Gyári Szakszerviz illetve a Gyártó Márkaszervize végezze el. A javítási munkákat csakis szakképzett személy végezheti el.


A gyártó nyilatkozata

A gyártó ezennel kijelenti, hogy a termék megfelel a következő EU direktíváknak:

- 2014/35/EC Alacsony feszültségű direktíva
- 2014/30/EC Elektromágneses kompatibilitás direktíva
- 2009/125/EC
- RoHS 2011/65/EC

Ezért is a terméket  jellel látta el és egy megfelelőségi nyilatkozatot adott ki hozzá, amelyet a tagországok piacfelügyelő hatóságai rendelkezésére bocsátott.

Stimate Client

De astăzi activitățile zilnice vor deveni mult mai simple decât oricând. Aparatul  este o combinație excepțională în utilizarea ușoară și eficiența excepțională. După citirea acestor instrucțiuni, utilizarea nu va fi o problemă.

Electrocasnicul a fost verificat minuțios pe linia de fabricație la posturile de control din punct de vedere al parametrilor de siguranță și funcționalitate înainte de a fi ambalat.

Vă rugăm să citiți cu atenție aceste instrucțiuni înainte de a utiliza aparatul. Respectarea indicațiilor cuprinse în aceste instrucțiuni vă vor permite să evitați utilizarea incorectă a electrocasnicului. Instrucțiunile trebuie păstrate și depozitate în așa fel încât să le aveți mereu la îndemână.

Instrucțiunile de utilizare trebuie respectată cu exactitate pentru a evita accidentele.

Cu deosebită stimă



INDICAȚII PRIVIND SIGURANȚA

- Hota poate fi folosită numai după citirea prezentelor instrucțiuni
- Hota este destinată numai pentru uz casnic
- Producătorul își rezervă dreptul de a efectua modificări care nu vor afecta funcționarea.
- Producătorul nu își asumă nici un fel de responsabilitate pentru eventualele daune sau incendii care vor fi cauzate de acest dispozitiv care vor rezulta din nerespectarea prevederilor cuprinse în prezentul manual.
- Hota de deasupra aragazului este destinat pentru îndepărtarea vaporilor din bucătărie. Nu trebuie folosit în alte scopuri.
- Hota care funcționează în varianta cu evacuare trebuie conectată la o conductă de evacuare corespunzătoare (nu conectați la hornuri, coșuri de fum sau de evacuare a gazelor, care se află deja în exploatare). Hota necesită instalarea unei conducte care va evacua aerul în exterior. Lungimea conductei (de obicei tub Ø 120 mm sau 150 mm) nu ar trebui să fie mai lungă decât 4-5 m. Tubul de evacuarea aerului este de asemenea necesar la hotele telescopice și incorporabile utilizate în varianta filtrare- recirculare.
- Hota care funcționează în varianta filtrare-recirculare necesită instalarea filtrului cu carbon activ. În acest caz nu este nevoie să montați conductă de evacuare a aerului în exterior, în schimb se recomandă montajul unui deflector, în special la hotele tip horn).
- Hota posedă iluminare independentă și ventilator de evacuare a vaporilor cu posibilitatea de setare a uneia din cele câteva viteze de rotație.

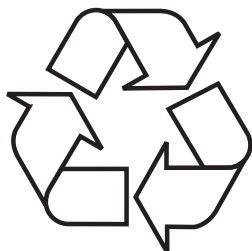
- În funcție de versiunea dispozitivului, hota este destinată pentru montajul permanent pe peretele vertical deasupra aragazului pe gaz sau a celui electric (hotele cu horn și cele universale); pe tavan deasupra aragazului pe gaz sau a celui electric (hote tip insulă); pe peretele vertical în cadrul mobilierului incorporat deasupra aragazului pe gaz sau a celui electric (hotele telescopice și cele incorporabile). Înainte de începerea montajului trebuie să vă asigurați că structura peretelui / tavanului este corespunzătoare pentru susținerea hotei. Unele modele de hote sunt foarte grele.
- Înălțimea de montare a hotei deasupra plitei electrice este menționată în instrucțiunile produsului (specificația tehnică a hotei). În cazul în care în manualul pentru instalarea dispozitivelor cu gaz este precizată o distanță mai mare, se va respecta aceasta distanță (Fig.1).
- Sub hota de bucătărie nu se permite lăsarea flăcării deschise, în timpul dării la o parte a vaselor de pe zona de gătit, trebuie setată flacăra cea mai mică.. Întotdeauna trebuie să verificați dacă flacăra iese în afara vasului, deoarece aceasta poate conduce la pierderea nedorită a energiei și la o concentrare periculoasă a căldurii.
- Mâncărurile care sunt pregătite cu folosirea uleiului trebuie în permanență supravegheate, deoarece uleiul încins se poate aprinde foarte repede.
- Înainte de fiecare operațiune de curățare, înlocuire a filtrului sau înainte de a începe lucrările de reparare, trebuie să scoateți ștecherul din priză.
- Filtrul împotriva grăsimilor pentru hota de bucătărie trebuie curățat cel puțin 1 dată pe lună, deoarece plin de grăsime este ușor inflamabil.
- În cazul în care în încăperea, în afara hotei, sunt exploatate și alte dispozitive cu alimentare ne-electrică (de ex. sobe cu combustibil lichid, încălzitoare apă, boilere), trebuie să aveți grijă ca

sistemul de aerisire să fie corespunzător (fluxul de aer). Exploatarea în siguranță este posibilă în cazul în care în timpul funcționării concomitente a hotei și a dispozitivelor de ardere, în funcție de aerul din încăpere, pe locul de amplasare a acestor dispozitive există subpresiune nu mai mare de 0,004 milibari (acest punct nu este obligatoriu, atunci când hota de deasupra aragazului este folosită ca sistem de absorbție a mirosurilor).

- Hota de bucătărie nu trebuie să fie folosită ca suprafață de sprijin pentru persoanele care se află în bucătărie.
- Hota trebuie să fie curățată frecvent atât în exterior cât și în interior (CEL PUȚIN ODATA PE LUNA, respectând indicațiile privind întreținerea prezentate în manual). Nerespectarea acestor reguli privind curățarea hotei și schimbul de filtre poate duce la apariția de incendii.
- În cazul în care cablul de alimentare va fi deteriorat, atunci acesta trebuie înlocuit cu unul nou de către un centru de reparații autorizat.
- Trebuie să fie posibilă deconectarea dispozitivului de la rețeaua de alimentare cu curent electric, prin deconectarea ștecherului sau oprirea întrerupătorului bipolar
- Aparatul acesta nu poate fi folosit de către persoane (inclusiv copii) cu capacități fizice, senzoriale sau psihice limitate, ori de către persoane care nu au experiență sau nu cunosc aparatul, cu excepția cazului în care acest lucru are loc sub supravegherea sau conform instrucțiunii de utilizare a aparatului, indicate de către persoanele responsabile de siguranța acestora.
- Trebuie să fiți foarte atenți ca acest dispozitiv să nu fie folosit de copii lăsați fără supraveghere.
- Verificați dacă tensiunea care este trecută pe eticheta de fabricație corespunde parametrilor de alimentare de la locul unde va fi aceasta folosită.

- Înainte de montaj trebuie să desfaceți și să întin-deți cablul de alimentare cu curent electric.
- Materialele ambalajului (sacii din polietilena, bu-cățile de polistiren etc.) nu trebuie lăsate la înde-mâna copiilor pe durata despachetării.
- Înainte de a conecta hota la sursa de alimentare trebuie de fiecare dată să verificați dacă cablul de alimentare este în mod corect instalat și NU a fost strivit de către hotă în timpul operațiilor de montare. Nu conectați dispozitivul la rețeaua de alimentare cu curent electric înainte de sfârșitul montajului.
- Este interzisă folosirea hotei fără filtrele de alu-miniu instalate împotriva depunerii grăsimilor.
- Este strict interzisă pregătirea sub hotă a mân-cărilor care necesită folosirea flăcării deschise (flambare).
- În măsura în care este necesară punerea în apli-care a cerințelor tehnice și de siguranță în ceea ce privește gazele de evacuare trebuie să fie reș-pectate cu strictețe reglementările emise de că-tre autoritățile locale competente.
- Neînșurubarea șuruburilor sau a elementelor de fixare în conformitate cu prezentele instrucțiuni poate conduce la apariția pericolelor pentru viață și sănătate.
- Hotele suspendate funcționează numai în varian-ta filtrare- recirculare.

DESPACHETARE



Dispozitivul este protejat împotriva deteriorării pe toată perioada transportului. Vă rugăm ca după ce despachetați aparatul să disponibilizați elementele ambalajului astfel încât acest lucru să nu dăuneze mediului înconjurător.

Toate materialele folosite pentru ambalaj nu dăunează mediului sunt 100% reciclabile și au fost marcate cu simbolul corespunzător.

Atenție! Materialele ambalajului (sacii din polietilenă, bucățile de polistiren etc.) nu trebuie lăsate la îndemână copiilor pe durata despachetării.

ÎNDEPĂRTAREA

DISPOZITIVELOR UZATE



Acest aparat este marcat conform Directivei Europene 2012/19/CE și Legii poloneze cu privire la echipamentele electrice și electronice folosite cu simbolul containerului pentru deșeuri. Acest marcaj înformează că echipamentul acesta după perioada în care a fost utilizat nu poate fi aruncat împreună cu gunoiul menajer.

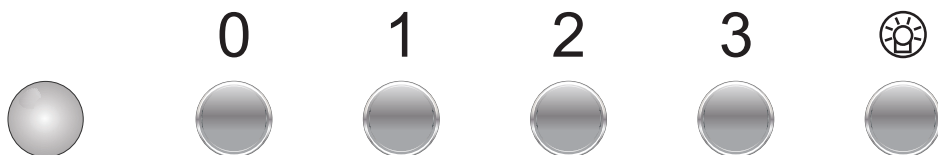
Beneficiarul are obligația de a preda dispozitivul uzat celor care se ocupă cu reciclarea echipamentelor electrice și electronice. Instituțiile care le primesc, inclusiv punctele de ridicare, magazinele și autoritățile locale vor organiza un sistem corespunzător de predare a acestor echipamente.

Procedarea corespunzătoare cu echipamentele electrice și electronice asigură eliminarea consecințelor dăunătoare pentru sănătatea oamenilor și a mediului înconjurător, care reies din prezența unor substanțe periculoase și din depozitarea și prelucrarea necorespunzătoare a acestui tip de echipament.

OPERARE

Panoul de control

Panoul de control al hotei este prezentat in Fig. 4, ca referință, dar este arătat de asemenea mai jos:



Panoul de control este echipat cu butoane cu intreruptoare cu reținere.

Pentru a porni hota trebuie să selectați unul dintre vitezele descrise mai jos prin apăsarea butonului corespunzător:

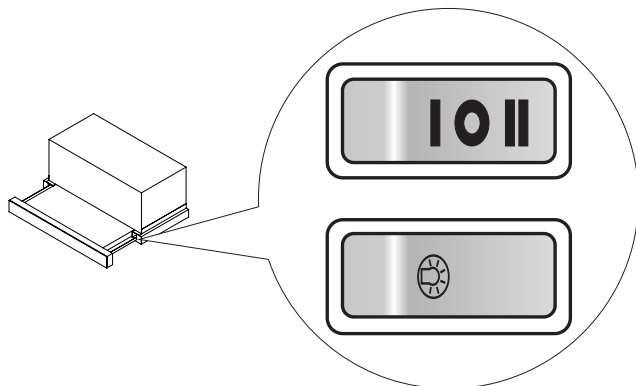
- 1- Viteza mică. Utilizați această viteză la o cantitate nu prea mare de vapori
- 2- Viteza medie. Utilizați această viteză la o cantitate medie de vapori, de exemplu atunci când gătiți mai multe mâncăruri în același timp.
- 3- Viteza mare. Utilizați această viteză la o cantitate foarte mare de vapori, de exemplu la prăjire sau la grill.
- 0- Opriți hota.

Butonul marcat ca  este folosit doar pentru pornirea sau oprirea iluminatului. Iluminarea hotei funcționează independent de motorul hotei.

OPERARE

Panoul de control


Panoul de control al hotei este prezentat in Fig. 4, ca referință, dar este arătat de asemenea mai jos:



Panoul de control este echipat în butoane basculante. Sunt vizibile după scoaterea frontului telescopic. Hota telescopică este echipată de un întrerupător de capăt de cursa de fiecare dată când veți scoate frontul telescopic, hota va începe să funcționeze cu viteza setată anterior.

Setarea vitezelor posibile (cu frontul scos)

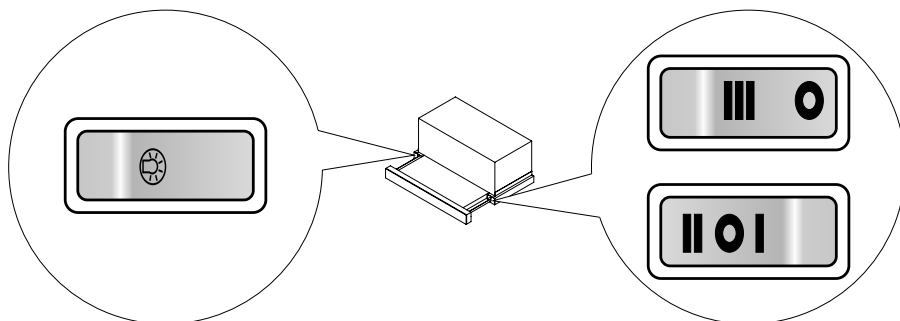
- I- Viteza mică. Utilizați această viteză la o cantitate nu prea mare de vapori.
- II- Viteza mare. Utilizați această viteză la o cantitate foarte mare de vapori, de exemplu la prăjire sau la grill.
- Hota oprită (scoaterea panoului nu va porni motorul hotei).

Butonul marcat ca  este folosit doar pentru pornirea sau oprirea iluminatului. Iluminarea hotei funcționează independent de motorul hotei. Întrerupătorul de capăt de cursa va stinge lumina când panoul frontal va fi împins în poziția inițială, de repaus.

OPERARE

Panoul de control


Panoul de control al hotei este prezentat în Fig. 4, ca referință, dar este arătat de asemenea mai jos:



Panoul de control este echipat în butoane basculante. Sunt vizibile după scoaterea frontului telescopic. Hota telescopică este echipată de un întrerupător de capăt de cursă de fiecare dată când veți scoate frontul telescopic, hota va începe să funcționeze cu viteza setată anterior.

Setarea vitezelor posibile (cu frontul scos)

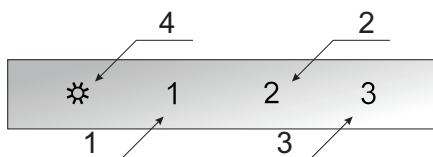
- I- Viteza mică. Utilizați această viteză la o cantitate nu prea mare de vapori.
- II- Viteza medie. Utilizați această viteză la o cantitate medie de vapori, de exemplu atunci când gătiți mai multe feluri de mâncare în același timp.
- III- Viteza mare. Utilizați această viteză la o cantitate foarte mare de vapori, de exemplu la prăjire sau la grill.
- Hota oprită (scoaterea panoului nu va porni motorul hotei).

Butonul marcat ca  este folosit doar pentru pornirea sau oprirea iluminatului. Iluminarea hotei funcționează independent de motorul hotei. Întrerupătorul de capăt de cursă va stinge lumina când panoul frontal va fi împins în poziția inițială, de repaus.

OPERARE

Panoul de control

Panoul de control al hotei este prezentat în Fig. 4, ca referință, dar este arătat de asemenea mai jos:



Panou de comandă

Este prevăzut cu senzori la atingere. Pentru a selecta funcția dorită atingeți unul dintre câmpurile de pe panou, conform celor de mai jos:

- 1 Viteza cea mai mică (1). Utilizați această viteză la o cantitate nu prea mare de vapori
- 2 Viteza medie (2). Utilizați această viteză la o cantitate medie de vapori, de exemplu atunci când gătiți mai multe mâncăruri în același timp.
- 3 Viteza cea mai mare (3). Utilizați această viteză la o cantitate foarte mare de vapori, de exemplu la prăjire sau la grill.
- 4 Pornirea sau stingerea iluminatului. Iluminarea funcționează independent de motorul hotei.

Pentru ca să opriți hota, trebuie să atingeți sensorul câmpului activ.

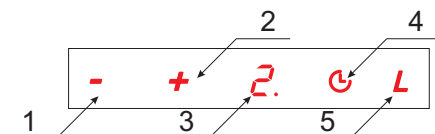
Timer (întârzie oprirea hotei)

Funcția aceasta este utilizată pentru oprirea întârziată a hotei. Utilizați această funcție după gătit, pentru a elimina aburul și fumul din încăperea. Timpul de întârziere este în jur de 15 minute. Pentru a activa funcția de întârziere, în timpul funcționării hotei pe orice viteză atingeți senzorul cu viteza activă timp de minim 3 secunde. Senzorul va începe să clipească. Clipirea semnalizează setarea corectă a timpului de întârziere pentru oprire. Pentru a opri funcția de întârziere mai repede, apăsați senzorul răspunzător de viteza activă. Este echivalent cu oprirea aparatului. Dacă doriți să continuați funcționarea lui, setați din nou viteza corespunzătoare. Funcția de oprirea întârziată a hotei nu va provoca oprirea iluminatului.

OPERARE

Control hotă

Panoul de control al hotei este prezentat în Fig. 4, ca referință, dar este arătat de asemenea mai jos:



Panou de comandă

Este prevăzut cu senzori la atingere. Pentru a selecta funcția dorită, atingeți unul dintre câmpurile de pe panou, conform celor de mai jos:









- 1- Reduce viteza motorului cu un nivel
- 2- Mărește viteza motorului cu un nivel
- 3- Afișaj viteză selectată. Hota este echipată cu 3 sau 4 viteze (în funcție de model).
- 4- Funcția de amânare a opririi hotei (Timer)
- 5- Aprinderea sau stingerea iluminării. Iluminarea funcționează independent de motorul hotei.

Vitezele care pot fi setate:

- Viteza cea mai mică (1). Utilizați această viteză la o cantitate nu prea mare de vapori
- Vitezele moderate (2 și 3*). Utilizați această viteză la o cantitate medie de vapori, de exemplu atunci când gătiți mai multe mâncăruri în același timp.
- Viteza cea mai mare (4*). Utilizați această viteză la o cantitate foarte mare de vapori, de exemplu la prăjire sau la grill.

*În funcție de model

Timer (amânarea opririi motorului hotei)

Această funcție este utilizată pentru amânarea opririi hotei. Utilizați această funcție după gătire, pentru a elimina aburul și fumul din încăpere. Timpul maxim de amânare este de 90 de minute. Pentru a porni această funcție, în timpul funcționării hotei la orice viteză, atingeți senzorul . Pe afișaj va pălpâi cifra . În pasul următor, cu ajutorul senzorilor  și  selectați timpul de amânare în intervalul 1-9 (fiecare nivel adaugă 10 minute, alegând de exemplu cifra 2, amânarea va fi de 20 min, alegând cifra 5, amânarea va fi de 50 min etc.). Atingeți din nou senzorul  pentru a activa funcția. Setarea corectă a amânării opririi va fi semnalizată printr-un punct pălpâitor lângă cifra de pe afișaj. Pentru a dezactiva funcția de amânare mai repede, apăsați senzorul  după care, cu ajutorul senzorului  reduceți timpul de amânare până la zero. Confirmați anularea amânării opririi hotei cu senzorul . Funcția de întârziere a opririi hotei nu va afecta iluminarea.

Alte informatii importante pentru operarea hotei

Variante de utilizare

Utilizare in varianta filtrare-recirculare

La functionarea in aceasta varianta aerul incarcat cu fum si vapori este aspirat si returnat apoi filtrat in incapere prin orificiile proiectate in acest scop. Pentru aceasta varianta este obligatorie montarea unui filtru carbon conform Fig 6., iar la unele modele de hota –de exemplu la cele tip horn- un deflector, daca acesta se regaseste in echiparea hotei. Filtrele carbon se achizitioneaza contra cost de la Centrele de reparatii autorizate.

Utilizare in varianta evacuare in exterior

In aceasta varianta aerul este evacuat catre exterior printr-un orificiu de evacuare aflat in partea superioara a hotei; nu se va monta filtrul carbon. La orificiul de evacuare al hotei se va conecta o conducta rigida ori flexibila (preferabil) cu diametrul de 150 mm sau 120 mm cu capatul in exteriorul cladirii, cu ajutorul unor accesorii (dispozitive de prindere, jaluza exteriora etc) care trebuie achizitionate de la magazinele de instalatii. Montajul trebuie realizat de catre o persoana calificata.

Viteza ventilatorului

Vitezele mica si medie sunt folosite in cazul conditiilor normale, atunci cand exista o cantitate mica de fum si vapori; viteza maxima trebuie folosita in cazul unei cantitati mai mari de fum si vapori, de exemplu in timpul prajirii sau pregatirii gratarului.

Atentie: la hotele universale este necesara setarea manuala a variantei de utilizare, filtrare ori evacuare) prin actionarea unui levier; a se vedea Fig 8, acolo unde exista.

Atentie: la hotele incorporabile in mobilier si cele telescopice utilizate in varianta filtranta trebuie montata o conducta de evacuare a aerului, dar al carui capat se va directiona tot in incapere, prin care se va returna aerul filtrat.

Atentie: hotele suspendate functioneaza numai in varianta filtranta.

CURĂȚAREA ȘI ÎNTREȚINEREA

Întreținere

Întreținerea și curățarea regulată a dispozitivului vor asigura o funcționare bună și fără avarii a hotei și va prelungi durata de funcționare a acesteia. Trebuie să acordați o deosebită atenție ca filtrele împotriva grăsimilor și filtrul cu carbon activ să fie curățate respectiv schimbate în conformitate cu recomandările producătorului.

- Nu folosiți cârpe și bureți imbibati cu apa și nici jetul de apă.
- Nu folosiți solvenți și nici alcool, deoarece acestea pot deteriora suprafețele lăcuite.
- Nu folosiți substanțe corozive, în special pentru curățarea suprafețelor din oțel inoxidabil.
- Nu utilizați o cârpă tare, aspră
- Se recomandă folosirea unei cârpe umede și a unui detergent neutru.

Atenție: După ce filtrul de aluminiu va fi spălat de câteva ori în mașina de spălat vase culoarea acestuia se poate schimba. Culoarea schimbată nu înseamnă că, filtrul este deteriorat și nici nu trebuie schimbat.

Filtrul împotriva grăsimilor

Filtrul din aluminiu împotriva grăsimilor trebuie să fie curățat o dată pe lună atunci când hota funcționează normal, în mașina de spălat vase sau manual folosind un detergent delicat sau săpun lichid.

Demontarea filtrului din aluminiu împotriva grăsimilor este prezentată în Fig. 5.

În unele modele este folosit filtrul acrilic. Trebuie înlocuit cel puțin o dată la 2 luni sau mai des în cazul în care hota este folosită foarte intens.

Filtrul de carbon

Filtrul activ este folosit numai atunci când hota nu este conectată la conducta de evacuare în exterior. Filtrul cu carbon activ posedă capacitatea de absorbție a mirosurilor până în momentul de saturare totală. Nu poate fi spălat și nici regenerat și trebuie să fie înlocuit cel puțin o dată la 2 luni, sau mai des în cazul în care este folosit mai intens.

Demontajul filtrului carbon este prezentat în Fig. 6.

Sistem de iluminare

Trebuie folosite becuri / halogene / module cu diode cu aceiași parametri ca cei montați din fabricație pe dispozitiv. Înlocuirea sistemului de iluminare este prezentată pe figura 7. În cazul în care figura nu apare în acest manual, înlocuirea modulului de iluminare poate fi efectuată numai de către un centru de reparații autorizat.

GARANȚIE, SERVICII POSTVÂNZARE

Garanția

Condițiile de garanție sunt cele prezentate în Certificatul de garanție care însoțește produsul. Producătorul nu este răspunzător de eventualele prejudicii cauzate de utilizarea incorectă a produsului.




Producătorul echipamentului recomandă ca și în perioada post-garanție toate reparațiile să fie efectuate de către Centrele de service autorizate de către producător.


Declarația producătorului

Prin prezenta, producătorul declară că, acest produs îndeplinește cerințele de bază ale directivelor europene menționate în continuare:

- **directiva cu privire la joasa tensiune 2014/35/CE**
- **directiva cu privire la compatibilitatea electromagnetică 2014/30/CE**
- **directiva 2009/125/EC**
- **directiva cu privire RoHS 2011/65/EC**

și de aceea produsul a fost marcat cu simbolul  și a fost emisă declarație de conformitate care este pusă la dispoziția organelor de supraveghere a pieței.

Шановний Клієнт

Від сьогодні щоденні обов'язки стануть легшими, ніж будь-коли. Цей пристрій  поєднує виняткову легкість у користуванні та досконалу ефективність. Після прочитання цієї інструкції, обслуговування не буде проблемою.

Устаткування, випущене з заводу, було ретельно перевірено перед упаковкою з точки зору безпеки та функціональності на контрольно-випробувальних стендах.

Будь ласка, уважно ознайомтеся з даною інструкцією з експлуатації перед ввімкненням пристрою. Дотримання вказівок, що містяться у ній, дозволить уникнути неправильної експлуатації. Інструкцію необхідно зберігати у легкодоступному місці.

Необхідно чітко дотримуватись положень інструкції з експлуатації, щоб уникнути нещасних випадків.

З повагою

 **Hansa**
Haushaltsgeräte

ВКАЗІВКИ ЩОДО БЕЗПЕКИ ЕКСПЛУАТАЦІЇ

- Перш ніж користуватися витяжкою, уважно прочитайте дану інструкцію з експлуатації
- Пристрій призначений тільки для побутового використання.
- Виробник залишає за собою право вносити у пристрій зміни, що не впливають на його функціонування.
- Виробник не несе жодної відповідальності за можливі збитки або пожежі, що виникли у результаті неправильної роботи пристрою внаслідок недотримання вказівок, наведених у цій інструкції.
- Кухонна витяжка призначена для видалення кухонних парів. Забороняється використовувати для інших цілей.
- Витяжку, що працює в режимі відводу, необхідно підключити до відповідного вентиляційного каналу (забороняється приєднувати до експлуатованих повітропроводів, димоходів або вентиляційних шахт, до яких під'єднані пристрої горіння). Для витяжки необхідно встановити повітропровід з відтоком повітря назовні. Довжина повітропровода (частіше труба \varnothing 120 мм або 150 мм) не повинна бути більше 4-5 м. Повітропровід також потрібен при телескопічних та меблевих витяжках в режимі поглинання.
- Для витяжки, яка працює в режимі поглинання, необхідно встановити фільтр з активованим вугіллям. В цьому випадку немає необхідності встановлювати повітропровід з відтоком повітря назовні, але рекомендується монтаж регулятора відтоку повітря (тільки проточні витяжки).
- Витяжка обладнана незалежним освітленням і витяжним вентилятором з можливістю вибору однієї з декількох швидкостей роботи вентилятора.

- В залежності від версії пристрою, витяжка призначена для стаціонарного монтажу до вертикальної стіни над газовою або електричною плитою (проточні та універсальні витяжки); до стелі над газовою або електричною плитою (острівні витяжки); в шафу на вертикальній стіні над газовою або електричною плитою (телескопічні або вбудовані в шафу). Перед монтажем необхідно переконатися чи витримає стіна / стеля придбану Вами витяжку. Деякі моделі витяжок є дуже важкими.
- Висота монтажу пристрою над електричною плитою вказана в паспорті продукту (технічна специфікація пристрою). Якщо в інструкціях з монтажу вказана більша відстань, її слід врахувати (рис. 1).
- Під кухонною витяжкою заборонено залишати відкритий вогонь, під час зняття каструлі, сковороди і т.д. з конфорки слід зменшити вогонь до мінімуму. Завжди слід обов'язково перевіряти, чи полум'я не виходить за межі каструлі, сковороди і т.д., оскільки це призводить до небажаної втрати енергії і небезпечної концентрації тепла.
- Потрібно постійно слідкувати за стравами, що готуються на жирах, оскільки розігрітий жир може легко зайнятися.
- Перед кожною процедурою з очищення, заміни фільтру або перед початком ремонтних робіт слід від'єднати вилку від розетки.
- Жировий фільтр для кухонної витяжки слід чистити не рідше ніж раз в місяць, оскільки просочений жиром, він є легкозаймистим.
- Якщо у приміщенні окрім витяжки використовується інше обладнання, що споживає енергію, яка не є електричною (напр. печі, що працюють на рідкому паливі, проточні нагрівачі, водонагрівачі), необхідно подбати про відповідну вентиляцію (приплив повітря). Безпечна експлуатація можлива за умови, якщо при одночасній роботі витяжки і пристроїв для спалювання, залежних від повітря у приміщенні, на місці встановлення

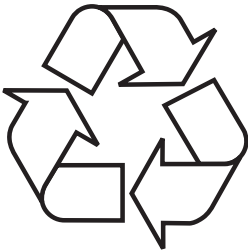
цих пристроїв вакууметричний тиск не буде перевищувати 0,004 мілібар (це правило не застосовується, якщо кухонна витяжка використовується як поглинач запахів).

- Заборонено використовувати витяжку як опору для осіб, що перебувають на кухні.
- Витяжку необхідно систематично очищувати як ззовні, так і зсередини (НЕ РІДШЕ НІЖ РАЗ В МІСЯЦЬ, із дотриманням вказівок відносно догляду, наведених у цій інструкції). Недотримання принципів, що стосуються очищення витяжки та заміни фільтрів, є причиною виникнення загрози пожежі.
- Якщо провід живлення буде пошкоджено, його необхідно замінити у спеціалізованому сервісному центрі.
- Необхідно забезпечити можливість від'єднання приладу від мережі живлення за допомогою двополюсного вимикача або витягаючи електропровід з розетки.
- Дане обладнання не призначене для використання особами (включаючи дітей) з обмеженими фізичними, сенсорними або психічними можливостями, або особами без відповідного досвіду або незнайомими з пристроєм, окрім випадків, коли це відбувається під наглядом або відповідно до інструкції з експлуатації обладнання, переданою особою, відповідальною за їхню безпеку.
- Потрібно звернути особливу увагу на те, щоб діти не змогли скористатися пристроєм, коли залишаться без батьківського нагляду.
- Переконайтесь, що напруга, вказана на щитку відповідає місцевим параметрам живлення.
- Перед монтажем слід розкрутити і випрямити мережевий кабель.
- Пакувальні матеріали (поліетиленові мішки, шматки пінополістиролу і т.д.) у ході розпакування слід тримати у недоступному для дітей місці.
- Перед підключенням витяжки до мережі електроживлення обов'язково слід перевірити чи правильно приєднано кабель живлення і чи під

час монтажних дій він НЕ був притиснутий витяжкою. Не підключайте пристрій до електромережі до завершення установки.

- Забороняється користуватися витяжкою без встановлених алюмінієвих жирових фільтрів.
- Строго забороняється готувати страви під витяжкою з використанням відкритого вогню (фламбування).
- В області застосування необхідних технічних засобів та засобів безпеки для відводу відпрацьованого газу потрібно строго дотримуватися положень, виданих компетентними місцевими органами.
- Не до кінця затягнуті гвинти і кріпильні елементи, як це зазначено в даній інструкції, можуть створити небезпеку для життя і здоров'я.
- Підвісні витяжки функціонують тільки в режимі поглинання запахів.

РОЗПАКУВАННЯ



На час транспортування забезпечено захист пристрою від пошкодження. Після розпакування обладнання, будь ласка, подбайте про утилізацію елементів упаковки безпечним для навколишнього середовища способом.

Усі матеріали, використані для пакування, є безпечними для навколишнього середовища та підлягають 100% переробці і позначені відповідним символом.

Увага! Пакувальні матеріали (поліетиленові мішки, шматки пінополістиролу і т.д.) у ході розпакування слід тримати у недоступному для дітей місці.

УТИЛІЗАЦІЯ ЗНОШЕНОГО ОБЛАДНАННЯ КОРИСТУВА- ЧАМИ



Даний пристрій відповідно до Європейської директиви 2012/19/ЄС і Закону Республіки Польща „Про використане електричне та електронне устаткування” марковано символом закресленого контейнера для відходів. Це маркування означає, що даний пристрій, після завершення експлуатації, не можна викидати разом з іншими побутовими відходами.

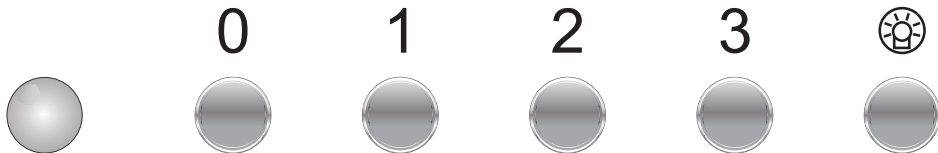
Користувач зобов'язаний здати його у відповідний пункт збору відходів електричного та електронного обладнання. Пункти збору, у т.ч. місцеві та районні пункти, утворюють відповідну систему, що дозволяє здати цей пристрій.

Відповідне поводження з використаним електричним та електронним обладнанням дозволяє уникнути шкідливих для здоров'я людини і навколишнього середовища наслідків, які можуть бути спричинені наявністю небезпечних компонентів та неправильним зберіганням і переробкою такого обладнання.

ЕКСПЛУАТАЦІЯ

Управління витяжкою

Панель управління витяжкою представлено на малюнку 4, для нагадування її також наведено нижче:



Панель управління оснащено кнопками (isostat).

Для ввімкнення витяжки виберіть один з описаних нижче швидкісних режимів, натиснувши відповідну кнопку:

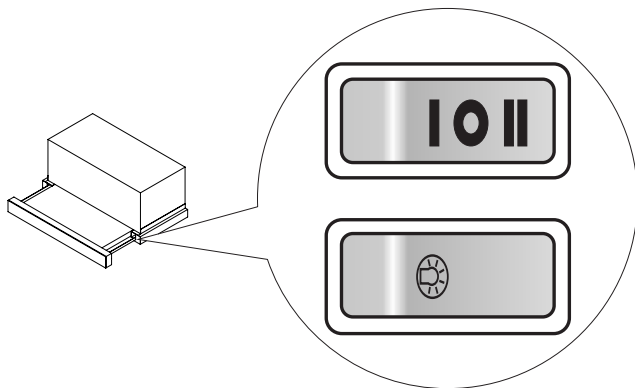
- 1- Мінімальна швидкість. Використовуйте цю швидкість при не дуже великій кількості пари.
- 2- Середня швидкість. Використовуйте цю швидкість при середній кількості пари, наприклад, при приготуванні декількох страв одночасно.
- 3- Максимальна швидкість. Використовуйте цю швидкість при максимальній кількості пари, наприклад, під час смаження або приготування на грилі.
- 4- Вимкнення витяжки

Кнопка, позначена символом  призначена для ввімкнення або вимкнення освітлення. Освітлення у витяжці працює незалежно від режиму швидкості.

ЕКСПЛУАТАЦІЯ

Управління витяжкою

Панель управління витяжкою представлено на малюнку 4, для нагадування її також наведено нижче:



Панель управління оснащена кнопками (хитними). Їх можна побачити після висунення телескопічної фронтальної панелі. Телескопічна витяжка оснащена кінцевим перемикачем. Після кожного висунення телескопічної фронтальної панелі витяжка почне працювати на раніше встановленій швидкості.

Є можливість налаштування швидкостей (при висунутій фронтальній панелі):

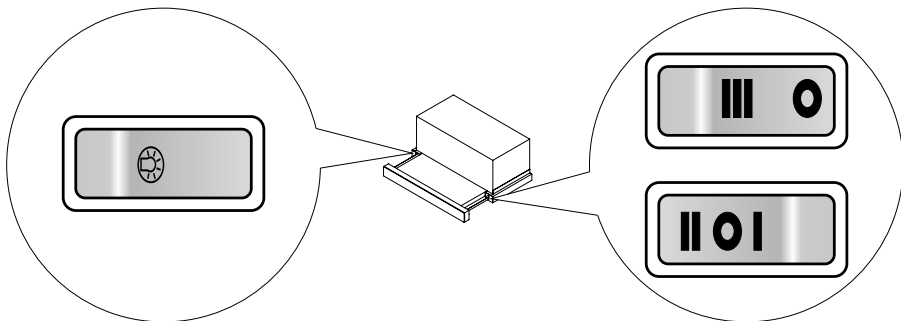
- I- Мінімальна швидкість. Використовуйте цю швидкість при не дуже великій кількості пари.
- II- Максимальна швидкість. Використовуйте цю швидкість при максимальній кількості пари, наприклад, під час смаження або приготування на грилі.
- Витяжка вимкнена (висунення панелі не викликає запуску двигуна витяжки).

Кнопка, позначена символом  призначена для ввімкнення або вимкнення освітлення. Освітлення в витяжці функціонує незалежно від двигуна витяжки. Кінцевий перемикач викликає також вимкнення світла, коли фронтальна панель втягується.

ЕКСПЛУАТАЦІЯ

Управління витяжкою

Панель управління витяжкою представлено на малюнку 4, для нагадування її також наведено нижче:



Панель управління оснащена кнопками (хитними). Їх можна побачити після висунення телескопічної фронтальної панелі. Телескопічна витяжка оснащена кінцевим перемикачем. Після кожного висунення телескопічної фронтальної панелі витяжка почне працювати на раніше встановленій швидкості.

Є можливість налаштування швидкостей (при висунутій фронтальній панелі):

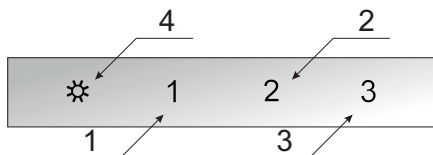
- I- Мінімальна швидкість. Використовуйте цю швидкість при не дуже великій кількості пари.
- II- Середня швидкість. Використовуйте цю швидкість при середній кількості пари, наприклад, при приготуванні декількох страв одночасно.
- III- Максимальна швидкість. Використовуйте цю швидкість при максимальній кількості пари, наприклад, під час смаження або приготування на грилі.
- Витяжка вимкнена (висунення панелі не викликає запуску двигуна витяжки).

Кнопка, позначена символом  призначена для ввімкнення або вимкнення освітлення. Освітлення в витяжці функціонує незалежно від двигуна витяжки. Кінцевий перемикач викликає також вимкнення світла, коли фронтальна панель втягується.

ЕКСПЛУАТАЦІЯ

Управління витяжкою

Панель управління витяжкою представлено на малюнку 4, для нагадування її також наведено нижче:



Панель управління

Обладнана сенсорною панеллю. Для увімкнення вибраної функції торкнутися одного з вказаних нижче полів:

- 1 Мінімальна швидкість (1). Використовуйте цю швидкість при не дуже великій кількості пари.
- 2 Середні швидкості (2). Використовуйте цю швидкість при середній кількості пари, наприклад, при приготуванні декількох страв одночасно.
- 3 Максимальна швидкість (3). Використовуйте цю швидкість при максимальній кількості пари, наприклад, під час смаження або приготування на грилі.
- 4 Включення або виключення освітлення. Освітлення функціонує незалежно від двигуна витяжки.

Щоб вимкнути витяжку, торкніться сенсора активного поля.

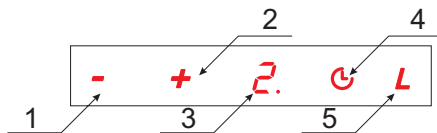
Таймер (вимкнення витяжки із затримкою)

Ця функція призначена для вимкнення двигуна витяжки із затримкою. Використовуйте цю функцію після приготування, аби очистити повітря від пари в приміщенні. Тривалість затримки - близько 15 хвилин. Щоб включити функцію затримки, під час роботи витяжки на будь-якій швидкості торкніться і утримуйте сенсор з активною швидкістю протягом принаймні 3-х секунд. Сенсор почне блимати. Блимання вказує, що час затримки встановлено правильно. Для вимкнення функції затримки раніше, торкніться сенсора, що відповідає за активну швидкість. Це еквівалентне вимкненню пристрою. Якщо ви хочете, щоб робота пристрою продовжилась, знову виберіть відповідну швидкість. Функція затримки вимкнення витяжки не вимикає освітлення.

ЕКСПЛУАТАЦІЯ

Управління витяжкою

Панель управління витяжкою представлена на малюнку 4, для нагадування вона також знаходиться нижче:



Панель управління

Обладнана сенсорною панеллю. Для увімкнення вибраної функції торкнутися одного з вказаних нижче полів:

- 1- Знижує швидкість двигуна на рівень нижче
- 2- Збільшує швидкість двигуна на рівень вище
- 3- Дисплей, на якому вказана вибрана швидкість. Витяжка має 3 або 4 швидкості (залежно від моделі).
- 4- Функція виключення витяжки із затримкою (таймер)
- 5- Включення або виключення освітлення. Освітлення функціонує незалежно від двигуна витяжки.

Можливі для налаштування швидкості:

- Мінімальна швидкість (1). Використовуйте цю швидкість при не дуже великій кількості пари.
- Середні швидкості (2 і 3*). Використовуйте цю швидкість при середній кількості пари, наприклад, при приготуванні декількох блюд одночасно.
- Максимальна швидкість (4*). Використовуйте цю швидкість при максимальній кількості пари, наприклад, під час смаження або приготування на грилі.

* В залежності від моделі

Таймер (вимкнення двигуна витяжки із затримкою)

Ця функція призначена для вимкнення двигуна витяжки із затримкою. Використовуйте цю функцію після приготування, аби очистити повітря від пари в приміщенні. Максимальний час затримки 90 хвилин. Для увімкнення цієї функції під час роботи витяжки на будь-якій швидкості торкнутися сенсора . На дисплеї почне блимати цифра . Далі сенсорами та вибрати час затримки вимкнення в діапазоні 1-9 (кожен рівень додає 10 хвилин, наприклад, при виборі цифри 2 затримка складе 20 хвилин, при виборі цифри 5 затримка складе 50 хвилин і так далі). Ще раз торкнутися сенсора для активації функції. Правильне налаштування часу вимкнення із затримкою буде показано миготливою крапкою поряд з цифрою на дисплеї. Для вимкнення функції затримки раніше, торкнутися сенсора . Далі сенсором понизити час затримки до нуля. Підтвердити анулювання затримки вимкнення витяжки сенсором . Функція затримки вимкнення витяжки не викличе вимкнення освітлення.

Інша важлива інформація про роботу витяжки

Робота в ролі фільтра-поглинача: У цьому варіанті роботи відфільтроване повітря повертається назад у приміщення через пристосовані для цього отвори. Для роботи цьому режимі необхідно встановити вугільний фільтр, а також рекомендується встановити випускний повітровід (доступність залежить від моделі, зустрічається, головним чином, у витяжних шафах).

Робота у режимі відведення повітря: Під час роботи пристрою у витяжному режимі повітря відводиться назовні через спеціальний канал. В цьому випадку слід витягти вугільний фільтр з витяжки. Витяжка повинна бути приєднана до отвору відведення повітря назовні за допомогою жорсткого або еластичного шлангу діаметром 150 мм або 120 мм і відповідних затискачів для шлангів, які слід придбати у пунктах продажу монтажних матеріалів. Підключення повинен виконувати кваліфікований спеціаліст з монтажу.

Швидкість вентилятора: Мінімальна і середня швидкості застосовуються за нормальних умов експлуатації, а також при низькій концентрації парів, а максимальну швидкість слід застосовувати лише при високій концентрації кухонних парів, напр. під час смаження або приготування на грилі.

Примітка (стосується лише універсальних витяжок): Конструкція універсальних витяжок вимагає ручної зміни режиму роботи. Спосіб зміни зображено на малюнку 8.

Примітка (стосується лише до телескопічних та вбудованих витяжок): Телескопічні та вбудовані в шафу витяжки, що працюють в режимі поглинання, вимагають приєднання труби для відтоку повітря. Другий кінець труби направити на приміщення, через неї буде виходити очищене повітря.

Увага: Підвісні витяжки функціонують тільки в режимі поглинання запахів.

ЧИЩЕННЯ І ДОГЛЯД

Догляд

Регулярний догляд і чищення пристрою забезпечить ефективну і безаварійну роботу витяжки і продовжить її строк служби. Необхідно слідкувати, щоб жировий фільтр і фільтр з активованим вугіллям очищувались і замінювались згідно із вказівками виробника.

- Заборонено використовувати змочені шматки або губки або потік води.
- Заборонено використовувати розчинники або спирт, оскільки вони можуть зробити тьмяними лаковані поверхні.
- Заборонено використовувати їдкі речовини, зокрема для очищення поверхонь, виготовлених з нержавіючої сталі.
- Заборонено використовувати жорстку шорсткувату шматку.
- Рекомендовано використовувати вологу шматку і нейтральні миючі засоби.

Увага: Після того, як декілька разів помити алюмінієвий фільтр в посудомийній машині, його колір може змінитися. Зміна кольору не означає, що фільтр є дефектним або його необхідно замінити.

Жировловлювальний фільтр

Алюмінієвий жировий фільтр слід чистити один раз на місяць при нормальній роботі витяжки, в посудомийній машині або вручну, застосовуючи м'який засіб для чищення або рідке мило.

Демонтаж алюмінієвого жирового фільтру показаний на малюнку 5. В деяких моделях застосовується акриловий фільтр. Його необхідно міняти кожні 2 місяці або частіше - у випадку виключно інтенсивного використання.

Вугільний фільтр

Вугільний фільтр застосовується лише у тому випадку, коли витяжка не підключена до вентиляційного каналу. Фільтр з активованим вугіллям має здатність поглинати запахи до моменту свого заповнення. Він не придатний ні до миття, ні до відновлення, тому його слід замінювати щонайменше раз в 2 місяці або частіше у випадку екстра-інтенсивної експлуатації.

Демонтаж вугільного фільтру показаний на малюнку 6.

Освітлення

Застосовувати лампи накаливання / галогени / діодні модулі з такими ж параметрами, як лампочки заводської установки. Заміна лампочки показана на малюнку 7. Якщо у даній інструкції немає цього малюнку, заміну модуля освітлення може виконати лише авторизований сервісний центр.

ГАРАНТІЯ, ОБСЛУГОВУВАННЯ ПІСЛЯ ПРОДАЖУ

Гарантія

Гарантійні послуги згідно з гарантійним талоном. Виробник не відповідає за жодні збитки, викликані неправильним використанням виробу.




Виробник устаткування рекомендує, щоб всі ремонтні і регульовальні роботи виконувалися заводською сервісною службою або авторизованою сервісною службою виробника. Ремонт повинен виконуватися тільки кваліфікованим персоналом.


Декларація виробника

Цим виробник заявляє, що виріб задовольняє основні вимоги перелічених нижче європейських директив:

- директива щодо низьковольтного обладнання 2014/35/EC
- директива щодо електромагнітної сумісності 2014/30/EC
- директиви про екологічну конструкцію обладнання 2009/125/EC
- директива RoHS 2011/65/EC

тому виріб маркується знаком відповідності  і отримав декларацію відповідності, яку можна пред'являти органам, які контролюють ринок.

Уважаеми потребителю,

От днес ежедневните задължения ще бъдат по-лесни от всякога. Уредът  съчетава изключително лесно обслужване и отлична ефективност. След като прочетете инструкцията, обслужването му няма да бъде трудно.

Още в завода, преди да бъде опакован, уредът е старателно тестван за безопасност и функционалност в контролните стендове.

Моля, прочетете внимателно тази инструкция, преди да включите уреда. Спазването на посочените в нея препоръки ще Ви предпази от неправилно използване на уреда. Запазете тази инструкция и я съхранявайте така, че винаги да имате достъп до нея.

Спазвайте стриктно правилата на инструкцията за употреба, за да избегнете нещастни случаи.

С уважение

 **Hansa**
Haushaltsgeräte

ПРЕПОРЪКИ ОТНОСНО БЕЗОПАСНОСТТА

- Преди да използвате аспиратора, трябва да се запознаете с настоящата инструкция
- Уредът е предназначен за използване само в домакинството.
- Производителят запазва правото си да въвежда промени нямащи влияние на действието на уреда.
- Производителят не носи никаква отговорност за евентуални щети или пожари, причинени от уреда, възникнали в резултат на неспазване на указанията от настоящата инструкция.
- Кухненският аспиратор е предназначен за отвеждане на парата от помещението. Не бива да се използва за други цели.
- Аспиратор, работещ в режим на отвеждане на парата, трябва да бъде присъединен към съответен вентилационен канал (не бива да се присъединява към комини и канали за отвеждане на дим или изгорели газове, които се използват). За правилната работа на аспиратора е необходим монтаж на канал, отвеждащ въздуха навън. Дължината на канала (обикновено тръба Ø 120 mm или 150 mm) не трябва да бъде по-голяма от 4-5 метра. При телескопичните и мебелните аспиратори, работещи в режим абсорбатор, също се изисква канал за отвеждане на въздуха.
- За правилната работа на аспиратор, работещ в режим абсорбиране, е необходимо инсталирането на филтър с активен въглен. В този случай не е необходимо инсталирането на отвеждащ въздуха навън канал, но се препоръчва монтаж на направляваща клапа на въздушния поток (само за коминни аспиратори).
- Аспираторът е оборудван с независимо освет-

ление и смукателен вентилатор с възможност за настройка на една от няколко достъпни скорости на работа.

- В зависимост от версията на уреда аспираторът е предназначен за стационарен монтаж върху вертикална стена над газова или електрическа печка (коминни и универсални аспиратори); върху тавана над газова или електрическа печка (аспиратори за кухненски остров); върху вертикална стена с вграждане в кухненски шкаф над газова или електрическа печка (телескопични аспиратори и аспиратори за вграждане). Преди монтажа трябва да се уверите, дали конструкцията на стената / тавана е подходяща да издържи теглото на аспиратора. Някои от моделите аспиратори са много тежки.
- Височината на монтаж на уреда над електрически кухненски плот е посочена в картата на продукта (техническа спецификация на уреда). Ако в инструкциите за инсталиране на газовите устройства е посочено по-голямо разстояние, това условие трябва да се спази (Фиг. 1).
- Под кухненския аспиратор не бива да се оставя открит пламък. По време на снемане на съдовете от газовата горелка пламъкът трябва да е настроен на минимум. Винаги трябва да се провери, дали пламъкът не излиза извън дъното на съда, тъй като това причинява сериозни загуби на енергия и опасно кумулиране на топлина.
- Ястията, приготвяни върху мазнини трябва да бъдат под непрекъснат надзор, тъй като нагорещената мазнина може лесно да се запали.
- Преди всяко почистване, смяна на филтъра или провеждане на ремонтни дейности трябва да изключите щепсела на уреда от контакта.
- Филтърът срещу мазнини на кухненския аспи-

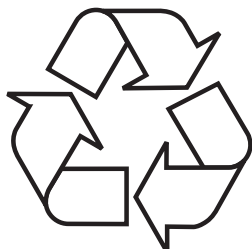
ратор трябва да се почиства най-малко веднъж месечно, тъй като напоен с мазнина е леснозапалим.

- Ако в помещението, освен аспиратора, се използват други уреди, които не се хранват от електричество (например печки за течни горива, радиатори, водни нагреватели), трябва да осигурите съответна вентилация на помещението (приток на въздух). Безопасната експлоатация е възможна, ако при едновременната работа на аспиратора и изгарящите уреди, зависими от въздуха в помещението, в мястото на инсталирането на тези уреди стойността на подналягането не надвишава 0,004 милибара (това условие не важи, когато кухненският аспиратор се използва като абсорбатор на мизми).
- Аспираторът не бива да се използва като подпорна повърхност от лицата, намиращи се в кухнята.
- Аспираторът трябва да се почиства често както отвън, така и отвътре (ПОНЕ ВЕДНЪЖ МЕСЕЧНО със спазване на указанията, посочени в настоящата инструкция). Неспазването на правилата за почистване на аспиратора и подмяна на филтрите може да доведе до опасност от пожар.
- В случай на увреждане на хранващия кабел трябва да го подмените в специализиран сервиз.
- Трябва да бъде осигурена възможност за изключване на уреда от хранващата мрежа чрез изваждане на щепсела или изключване на двуполусния прекъсвач.
- Това оборудване не е предназначено за използване от лица (включително деца) с намалени физически, сетивни или умствени способности или лица без опит или познания, освен

ако те са под наблюдение или са инструктирани относно използването на оборудването от лицата, отговорни за тяхната безопасност.

- Трябва да обърнете особено внимание, уредът да не се ползва от деца без надзор.
- Проверете, дали посоченото върху информационната табела на уреда напрежение е в съответствие с параметрите на местната хранваща мрежа.
- Преди монтажа развийте и изправете хранващия кабел.
- По време на разопаковане опаковъчните материали (торби от полиетилен, стиропор и т.н.) трябва да се държат далеч от деца.
- Преди включване на аспиратора към хранващата мрежа винаги трябва да проверите, дали хранващият кабел е инсталиран правилно и НЕ е смачкан от аспиратора по време на монтажните дейности. Не включвайте уреда към електрическата мрежа преди завършване на монтажа.
- Ползването на аспиратора без монтирани алуминиеви филтри срещу мазнини е забранено.
- Строго е забранено приготвянето на ястия под аспиратора с използване на открит пламък (фламбиране).
- Следва стриктно да се спазват издадените от местните власти разпоредби, отнасящи се за необходимите за прилагане технически средства и средства за безопасност в областта на отвеждането на изгорели газове.
- Недостатъчното затягане на винтовете и закрепващите елементи в съответствие с настоящата инструкция може да доведе до опасност за здравето и живота.
- Всяките аспиратори работят само в режим за абсорбиране на миризми

РАЗОПАКОВАНЕ

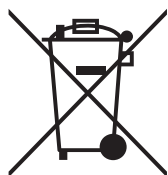


Устройството е защитено от повреди по време на транспорт. След разопаковане на устройството, моля, не забравяйте да премахнете опаковъчните материали по екологично съобразен начин.

Всички материали, използвани за опаковане, са безопасни за околната среда, 100% рециклируеми и затова са отбелязани със съответния символ.

Внимание! По време на разопаковане опаковъчните материали (торби от полиетилен, стиропор и т.н.) трябва да се държат далеч от деца.

ОБЕЗВРЕЖДАНЕ НА ИЗНОСЕНИ УРЕДИ



Това устройство е маркирано в съответствие с Европейската директива 2012/19/ЕС и на полския закон за електрически и електронни отпадъци със задраскан контейнер за отпадъци. Тази маркировка показва, че това оборудване, след определен период на ползване,

не може да се изхвърля заедно с другите битови отпадъци.

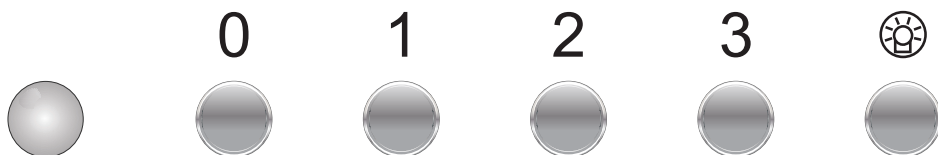
Потребителят е длъжен да го предаде там, където се събират отпадъци от електрическо и електронно оборудване. Събирателните пунктове, в това число местни пунктове за събиране, магазини или общински структури създават система, която позволява предаване на оборудването.

Подходящото третиране на отпадъците от електрическо и електронно оборудване помага за избягване на вредни за човешкото здраве и околната среда последици, произтичащи от наличието на опасни вещества, както и неправилно съхранение и обработка на такова оборудване.

ОБСЛУЖВАНЕ


Управление на абсорбатора

Панелът за управление на абсорбатора е представен върху фиг. 4, намира се също така и по-долу:



Панелът за управление е оборудван с бутони (izostat). За да включите абсорбатора, трябва да изберете една от описаните по-долу скорости чрез натискане на съответния бутон:

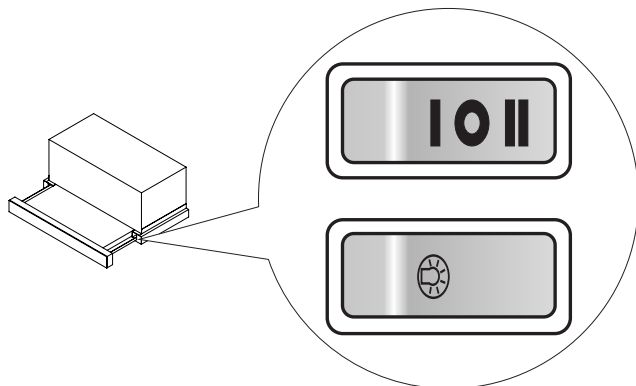
- 1- Най-ниска скорост. Тази скорост се използва при малко количество пара.
- 2- Средна скорост. Тази скорост се използва при средна интензивност на парата, например по време на готвене на много ястия наведнъж.
- 3- Най-висока скорост. Тази скорост е предназначена за използване при най-висока интензивност на парата - например по време на пържене или печене на грил.
- 0- Изключва абсорбатора

Бутонът, означен като  е предназначен за включване или изключване на осветлението. Осветлението в абсорбатора функционира независимо от двигателя.

ОБСЛУЖВАНЕ

Управление на абсорбатора


Панелът за управление на абсорбатора е представен върху фиг. 4, намира се също така и по-долу:



Панелът за управление е оборудван с бутони от тип rocker. Те се виждат след изтегляне на телескопичния фронт на абсорбатора. Телескопичният абсорбатор е оборудван с краен прекъсвач. Всеки път, когато изтегляте телескопичния фронт, абсорбаторът ще започне работа с последната зададена скорост.

Възможни скорости на работа (при изтеглен фронт):

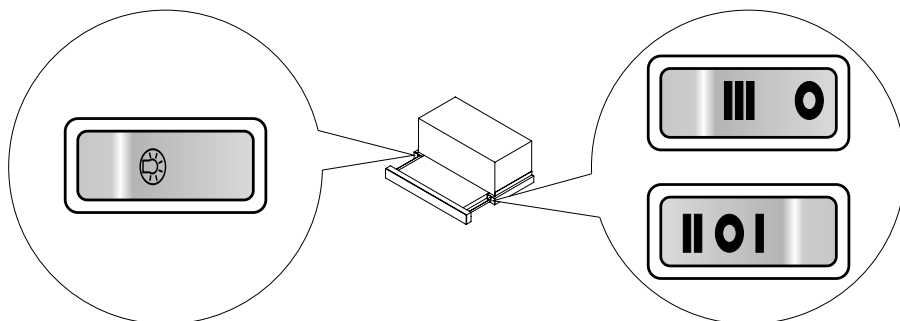
- I- Най-ниска скорост. Тази скорост се използва при малко количество пара.
- II- Най-висока скорост. Тази скорост е предназначена за използване при най-висока интензивност на парата - например по време на пържене или печене на грил.
- Изключен абсорбатор (изтеглянето на панела няма да включи двигателя на абсорбатора).

Бутонът, означен като  е предназначен за включване или изключване на осветлението. Осветлението в абсорбатора функционира независимо от двигателя на абсорбатора. Крайният прекъсвач изключва осветлението и когато пхнете телескопичния фронт.

ОБСЛУЖВАНЕ

Управление на абсорбатора


Панелът за управление на абсорбатора е представен върху фиг. 4, намира се също така и по-долу:



Панелът за управление е оборудван с бутони от тип rocker. Те се виждат след изтегляне на телескопичния фронт на абсорбатора. Телескопичният абсорбатор е оборудван с краен прекъсвач. Всеки път, когато изтеглите телескопичния фронт, абсорбаторът ще започне работа с последната зададена скорост.

Възможни скорости на работа (при изтеглен фронт):

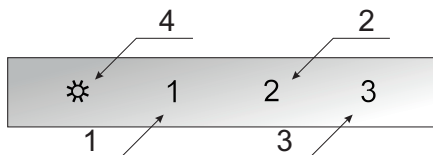
- I- Най-ниска скорост. Тази скорост се използва при малко количество пара.
- II- Средна скорост. Тази скорост се използва при средна интензивност на парата, например по време на готвене на много ястия наведнъж.
- III- Най-висока скорост. Тази скорост е предназначена за използване при най-висока интензивност на парата - например по време на пържене или печене на грил.
- Изключен абсорбатор (изтеглянето на панела няма да включи двигателя на абсорбатора).

Бутонът, означен като  е предназначен за включване или изключване на осветлението. Осветлението в абсорбатора функционира независимо от двигателя на абсорбатора. Крайният прекъсвач изключва осветлението и когато пхнете телескопичния фронт.

ОБСЛУЖВАНЕ

Управление на абсорбатора

Панелът за управление на абсорбатора е представен върху фиг. 4, намира се също така и по-долу:



Панел за управление

Абсорбаторът е оборудван със сензорен панел за управление. За да включите избраната функция, докоснете едно от следните полета:

- 1 Най-ниска скорост (1). Тази скорост се използва при малко количество пара.
- 2 Средни скорости (2). Тази скорост се използва при средна интензивност на парата, например по време на готвене на много ястия наведнъж.
- 3 Най-висока скорост (3). Тази скорост е предназначена за използване при най-висока интензивност на парата - например по време на пържене или печене на грил.
- 4 Включване или изключване на осветлението. Осветлението функционира независимо от двигателя на абсорбатора.

За да изключите абсорбатора, докоснете сензора на активното поле.

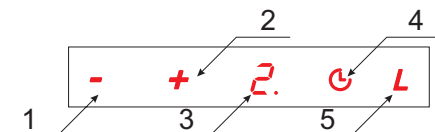
Таймер (изключване на абсорбатора със закъснение)

Тази функция е предназначена за изключване на двигателя на абсорбатора със закъснение. Използвайте тази функция след завършване на готвенето, за да почистите въздуха в помещението от изпаренията. Времето на закъснение е около 15 минути. За да включите функцията закъснение на изключването, по време на работа с произволна скорост на абсорбатора трябва да натиснете и задържите за ок. 3 секунди сензора, съответстващ на активната скорост. Сензорът ще започне да мига. Мигането сигнализира правилна настройка на времето на закъснение на изключването. За да изключите по-рано функцията за закъснение, трябва да натиснете сензора, съответстващ на активната скорост. Това е равнозначно с изключването на уреда. Ако искате да продължите работата на уреда, изберете отново съответната скорост. Функцията за закъснение на изключването на абсорбатора не изключва осветлението.

ОБСЛУЖВАНЕ

Управление на абсорбатора

Панелът за управление на абсорбатора е представен върху фиг. 4, намира се също така и по-долу:



Панел за управление

Абсорбаторът е оборудван със сензорен панел за управление. За да включите избраната функция, докоснете едно от следните полета:

- 1- Намалява скоростта на двигателя с едно ниво
- 2- Увеличава скоростта на двигателя с едно ниво
- 3- Индикатор на избраната скорост. Абсорбаторът притежава 3 или 4 скорости (в зависимост от модела).
- 4- Функция за изключване със закъснение (Timer)
- 5- Включване или изключване на осветлението. Осветлението функционира независимо от двигателя на абсорбатора.

Възможни настройка на скоростта:

- Най-ниска скорост (1). Тази скорост се използва при малко количество пара.
- Средни скорости (2 и 3*). Тази скорост се използва при средна интензивност на парата, например по време на готвене на много ястия наведнъж.
- Най-висока скорост (4*). Тази скорост е предназначена за използване при най-висока интензивност на парата - например по време на пържене или печене на грил.

* В зависимост от модела

Timer (изключване на двигателя на абсорбатора със закъснение)

Тази функция е предназначена за изключване на двигателя на абсорбатора със закъснение. Използвайте тази функция след завършване на готвенето, за да почистите въздуха в помещението от изпаренията. Максималното време на закъснение е 90 минути. За да включите тази функция, по време на работа на абсорбатора с произволна скорост трябва да натиснете еднократно сензор . Върху дисплея ще започне да мига цифра . След това с помощта на сензори и изберете времето на закъснение в обхват 1-9 (всяко ниво добавя 10 минути, например избирайки цифра 2 закъснението възлиза на 20 минути, избирайки цифра 5 закъснението възлиза на 50 минути и т.н.). Повторно докоснете сензор , за да активирате функцията. Правилната настройка на времето на закъснение на изключване ще бъде сигнализирана с мигане на точката до цифрата върху дисплея. За да изключите предварително функцията за закъснение, трябва да натиснете сензор . След това с помощта на сензор намалете времето на закъснение до нула. Потвърдете анулирането на закъснението на изключване на абсорбатора посредством сензор . Функцията за закъснение на изключването на абсорбатора не изключва осветлението.

Други важни информации за обслужването на абсорбатора

Работа като абсорбатор: При тази опция филтрираният въздух се връща обратно в помещението посредством предвидените за това отвори. При този режим на работа трябва да монтирате въглен филтър и се препоръчва монтиране на направляващ потока на въздуха елемент (достъпен в зависимост от модела, среща се главно в абсорбаторите от коминен тип).

Работа като аспиратор: В режим за отвеждане на въздуха аспираторът отвежда въздуха навън през специален канал. При този режим на работа трябва да отстраните евентуалния въглен филтър. Аспираторът е присъединен към отвеждащия въздуха отвор с помощта на твърда или еластична тръба с диаметър 150мм или 120мм и съответни скоби за тези тръби, които трябва да се закупят в магазините за инсталационни материали. Свързването на аспиратора към отвора трябва да бъде извършено от квалифициран инсталатор.

Скорост на вентилатора Най-ниската и средната скорост се използват при нормални условия и малка интензивност на парата. Най-високата скорост да се използва само при висока интензивност на парата в кухнята, например при пържене или печене на скара.

Забележка (отнася се само за универсалните абсорбатори): Конструкцията на универсалните абсорбатори изисква ръчна смяна на режима на работа на уреда. Начинът на смяна на режима е показан върху фигура 8.

Забележка (отнася се само за вградени в мебели и телескопични аспиратори): В случай на аспираторите за вграждане в кухненски шкаф и телескопичните аспиратори, които работят в режим абсорбатор, трябва да се инсталира тръба, отвеждаща въздуха. Вторият край на тръбата трябва да насочите към помещението, през нея ще бъде отвеждан филтрирания въздух.

Забележка: Висящите аспиратори работят само в режим абсорбатор.

ПОЧИСТВАНЕ И ПОДДРЪЖКА

Поддръжка

Редовната поддръжка и почистване на уреда ще осигурят добра и безаварийна работа на аспиратора и ще удължат неговия експлоатационен живот. Трябва да се обърне особено внимание почистването и смяната на филтъра за мазнини и въгления филтър да се изпълнява съгласно препоръките на производителя.

- Да не се използват овлажнени кърпи или гъби, нито водна струя.
- Да не се използват разтворители, нито алкохол, тъй като могат да причинят матиране на лакираните повърхности.
- Да не се използват разяждащи вещества, особено за почистване на повърхности, изработени от неръждаема стомана.
- Да не се използва твърда, драскаща кърпа
- Препоръчва се използването на влажна кърпа и неутрални миещи препарати.

Забележка: След няколкократно миене в съдомиялна машина цветът на алуминиевия филтър може да се промени. Промияната на цвета не означава несъответствие и не е необходима смяна на филтъра.

Филтър за мазнини

Алуминиевият филтър за мазнини трябва да се почиства ежемесечно при нормална работа на аспиратора. Да се мие в съдомиялна машина или ръчно с използване на неагресивен миещ препарат или течен сапун.

Демонтажът на алуминиевия филтър за мазнини е показан върху фигура 5.

В някои от моделите е използван акрилен филтър. Трябва да се сменява поне веднъж на 2 месеца или по-често в случай на изключително интензивно използване.

Въглен филтър

Въгленият филтър се използва само тогава, когато аспираторът не е присъединен към вентилационен канал. Филтърът с активен въглен има способност да поглъща миризмите, докато се насити. Не е подходящ за миене, нито за регенериране и трябва да се сменява поне веднъж на 2 месеца или по-често в случай на изключително интензивно използване.

Демонтажът на въгления филтър е показан върху фигура 6.

Осветление

Трябва да използвате крушки / халогенни лампи / диодни модули със същите параметри, както фабрично монтираните в уреда. Начинът на смяна на осветителните тела е показан върху фигура 7. Ако в настоящата инструкция тази фигура не е показана, това означава, че осветлението може да бъде подменено само от оторизиран сервиз.

ГАРАНЦИЯ, СЛЕД ПРОДАЖБЕНО ОБСЛУЖВАНЕ

Гаранция

Гаранционна поддръжка според гаранционната карта. Производителят не отговаря за повреди и каквито и да било щети настъпили в резултат от неправилното използване на уреда.



Производителят на оборудването препоръчва всички ремонти и дейности по настройка да се извършват от Фабричния Сервиз или от Оторизиран Сервиз на Производителя. Ремонтите трябва да се извършват само от лице, притежаващо съответните квалификации.


Декларация на производителя

Производителят декларира, че продуктът отговаря на съществените изисквания на европейските директиви, изброени по-долу:

- Директива 2014/35/ЕО за ниско напрежение
- Директива 2014/30/ЕО за електромагнетична компатибилност
- Директива 2009/125/ЕО
- Директива RoHS 2011/65/ЕО

и поради това продуктът е маркиран с **CE** и му е издадена декларация за съответствие на разположение на надзорните органи на пазара.

Уважаемый Клиент

С сегодняшнего дня ежедневные обязанности станут более легкими, чем когда-либо. Устройство  это сочетание исключительной легкости в использовании и отличной эффективности. После прочтения инструкции обслуживание не будет проблемой.

Оборудование, выпущенное с завода, было тщательно проверено перед упаковкой с точки зрения безопасности и функциональности на контрольно-испытательных стендах.

Просим внимательно прочитать инструкцию по эксплуатации перед запуском устройства. Соблюдение изложенных в ней указаний защитит Вас от неправильной эксплуатации. Храните инструкцию в доступном месте, чтобы в случае необходимости она всегда была под рукой.

Строго соблюдайте инструкцию по эксплуатации с целью предотвращению несчастных случаев.

С уважением

 **Hansa**
Haushaltsgeräte

УКАЗАНИЯ ПО ТЕХНИКЕ БЕЗОПАСНОСТИ

- Прежде чем пользоваться вытяжкой, внимательно прочитайте настоящую инструкцию по эксплуатации
- Прибор предназначен исключительно для домашнего пользования.
- Производитель оставляет за собой право вносить в конструкцию изделия изменения, не влияющие на его функционирование.
- Производитель не несет ответственность за возможные повреждения, возгорания или пожар, вызванные неправильной эксплуатацией прибора в результате несоблюдения рекомендаций настоящей инструкции.
- Кухонная вытяжка служит для устранения кухонных запахов и испарений. Запрещается использовать для иных целей.
- Вытяжку, работающую в режиме отвода, необходимо подключить к соответствующему вентиляционному каналу (запрещается подсоединять к эксплуатируемым воздуховодам, дымоходам или вентиляционным шахтам, к которым подсоединены устройства горения). Для вытяжки необходима установка воздуховода с оттоком воздуха наружу. Длина воздуховода (чаще всего труба Ø 120 мм или 150 мм) не должна быть больше 4-5 м. Воздуховод также требуется при телескопических и мебельных вытяжках в режиме поглощения.
- Для вытяжки, работающей в режиме поглощения, необходимо установить фильтр с активированным углем. В этом случае нет необходимости устанавливать воздуховод с оттоком воздуха наружу, но рекомендуется монтаж регулятора оттока воздуха (только проточные вытяжки).
- Вытяжка оборудована независимым освещени-

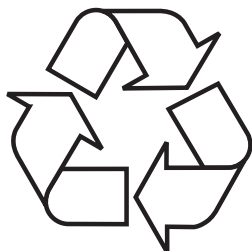
ем и вытяжным вентилятором с возможностью выбора одной из нескольких скоростей работы вентилятора.

- В зависимости от версии устройства, вытяжка предназначена для стационарного монтажа к вертикальной стене над газовой или электрической плитой (проточные и универсальные вытяжки); к потолку над газовой или электрической плитой (островные вытяжки); в шкаф на вертикальной стене над газовой или электрической плитой (телескопические или встраиваемые в шкаф). Перед монтажом необходимо убедиться выдержит ли стена / потолок приобретенную Вами вытяжку. Некоторые модели вытяжек очень тяжелые.
- Высота монтажа устройства над электрической плитой указана в паспорте продукта (техническая спецификация устройства). Если в инструкции по установке газовых приборов указано большее расстояние, это необходимо учесть (Рис. 1).
- Под кухонной вытяжкой запрещается оставлять открытый огонь во время снятия кастрюли с плиты, нужно отрегулировать минимальное пламя. Отрегулируйте пламя таким образом, чтобы оно ни в коем случае не выходило за пределы посуды, поскольку это приводит к нежелательной потере энергии и опасной концентрации тепла.
- При приготовлении блюд с большим количеством жира или масла нельзя оставлять плиту без присмотра. Перегретое масло или жир может самовоспламениться и привести к возгоранию вытяжки.
- Каждый раз перед чисткой, заменой фильтра или ремонтом отсоединить вытяжку от источника питания.
- Жироулавливающий фильтр для кухонной вытяжки чистить не реже, чем 1 раз в месяц, поскольку насыщенный жиром фильтр становится легко воспламеняемым.

- Если в помещении, в котором установлена вытяжка, предполагается эксплуатация других неэлектрических приборов (напр. печей, котлов, работающих на жидком топливе, бойлеров или проточных водонагревателей), необходимо обеспечить достаточную вентиляцию (подачу воздуха). Безопасная эксплуатация при одновременной работе вытяжки и зависимых от комнатного воздуха устройств горения в месте установки этих устройств возможна только в том случае, если разряжение не превышает 0,004 мбар (данное условие не обязывает в случае, если кухонная вытяжка используется в режиме рециркуляции в качестве поглотителя запахов).
- Запрещается опираться на кухонную вытяжку локтями.
- Вытяжку следует часто чистить как снаружи, так и внутри (НЕ РЕЖЕ РАЗА В МЕСЯЦ, с соблюдением указаний, касающихся консервации, которые представлены в настоящей инструкции). Несоблюдение принципов, касающихся очистки вытяжки и замены фильтров, может стать причиной возникновения опасности пожара.
- В случае повреждения электрического провода его замену следует производить только в специализированной ремонтной мастерской.
- Необходимо обеспечить возможность отсоединения прибора от питающей сети при помощи двухполюсного выключателя или вытягивая электропровод из розетки.
- Не разрешайте пользоваться прибором детям и лицам с ограниченными физическими, ментальными и умственными возможностями, не имеющим опыта и умения, разве что под надзором или до тех пор, пока они не будут обучены и ознакомлены с инструкцией по эксплуатации прибора.
- Нужно обратить особое внимание на то, чтобы дети не смогли воспользоваться устройством,

- когда останутся без родительского надзора.
- Убедитесь, что напряжение в сети соответствует напряжению, указанному на заводском щитке кухонной вытяжки.
 - Перед установкой вытяжки необходимо размотать и выпрямить шнур электрического питания.
 - Упаковочные материалы (полиэтиленовые пакеты, пенополистирол и т.д.) необходимо хранить вдали от детей.
 - Перед подключением вытяжки к сетевому питанию следует всего проверять, правильно ли установлен кабель питания и НЕ придавлен ли он вытяжкой в ходе монтажных работ. Не подключайте устройство к электросети до завершения установки.
 - Запрещается пользоваться вытяжкой без установленных алюминиевых жироулавливающих фильтров.
 - Строго запрещается готовить блюда под вытяжкой с использованием открытого огня (фламбирования).
 - В области применения необходимых технических средств и средств безопасности для отвода отработанного газа нужно строго соблюдать положения, выданные компетентными местными органами.
 - Не до конца затянутые винты и крепежные элементы, как это указано в настоящей инструкции, могут создать опасность для жизни и здоровья.
 - Подвесные вытяжки действуют только в режиме поглощения запахов.

РАСПАКОВКА



На время транспорта прибор упакован и предохраняется таким образом, чтобы избежать его повреждения. После распаковки просим обращаться с упаковочными материалами таким образом, чтобы они не угрожали окружающей среде.

Все упаковочные материалы являются неопасными для окружающей среды, полностью (на 100%) годятся для вторичного использования и маркируются соответствующим символом.

Внимание! Упаковочные материалы (полиэтиленовые пакеты, пенополистирол и т.д.) необходимо хранить вдали от детей.

УТИЛИЗАЦИЯ ИЗНОШЕННОГО ОБОРУДОВАНИЯ



Данный прибор маркируется символом перечеркнутого мусорного контейнера в соответствии с Европейской директивой 2012/19/ЕС и польским законом об утилизации электроприборов и электронного оборудования. Такая маркировка сообщает, что вышедшие из строя приборы, маркированные этим символом, нельзя выбрасывать вместе с бытовым мусором.

Пользователи обязаны передавать непригодные приборы в специализированные организации, занимающиеся утилизацией электроприборов и электронного оборудования. Местные пункты приема ненужных и непригодных электроприборов, магазины и гминные организации образуют систему, позволяющую утилизировать такого рода отходы.

Правильное обращение с непригодными электроприборами и электронным оборудованием позволяет избежать вредных последствий для окружающей среды и здоровья людей, связанных с содержанием в них опасных веществ и ненадлежащим хранением и переработкой такого рода изделий.

ЭКСПЛУАТАЦИЯ

Управление вытяжкой

Панель управления вытяжки представлена на рисунке 4, для напоминания она также находится ниже:



Панель управления оснащена кнопками (isostat).

Для включения вытяжки выберите один из ниже описанных скоростных режимов путем нажатия соответствующей кнопки:

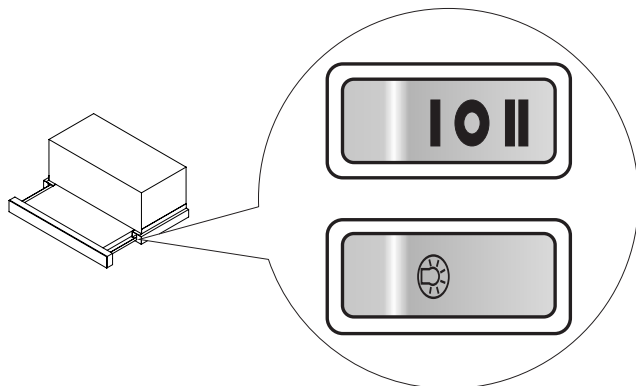
- 1- Минимальная скорость. Используйте эту скорость при не очень большом количестве пара.
- 2- Средняя скорость. Используйте эту скорость при среднем количестве пара, например, при приготовлении нескольких блюд одновременно.
- 3- Максимальная скорость. Используйте эту скорость при максимальном количестве пара, например, во время жарки или приготовления на гриле.
- 4- Выключение вытяжки

Кнопка, обозначенная символом  предназначена для включения или отключения освещения. Освещение в вытяжке работает независимо от скоростного режима.

ЭКСПЛУАТАЦИЯ

Управление вытяжкой


Панель управления вытяжки представлена на рисунке 4, для напоминания она также находится ниже:



Панель управления оснащена кнопками (качающимися). Они видны после выдвижения телескопической фронтальной панели. Телескопическая вытяжка оснащена концевым переключателем. После каждого выдвижения телескопической фронтальной панели вытяжка начнет работать на ранее установленной скорости.

Если возможность настройки скоростей (при выдвинутой фронтальной панели):

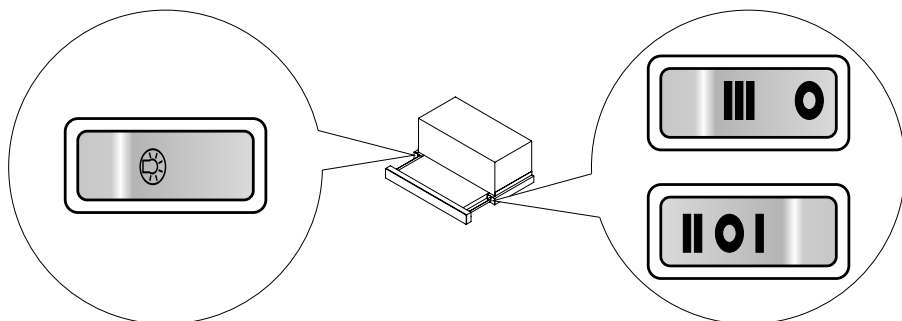
- I- Минимальная скорость. Используйте эту скорость при не очень большом количестве пара.
- II- Максимальная скорость. Используйте эту скорость при максимальном количестве пара, например, во время жарки или приготовления на гриле.
- Вытяжка выключена (выдвижения панели не вызывает запуска двигателя вытяжки).

Кнопка, обозначенная символом  предназначена для включения или отключения освещения. Освещение в вытяжке функционирует независимо от двигателя вытяжки. Концевой переключатель вызывает также выключение света, когда фронтальная панель убирается.

ЭКСПЛУАТАЦИЯ

Управление вытяжкой


Панель управления вытяжки представлена на рисунке 4, для напоминания она также находится ниже:



Панель управления оснащена кнопками (качающимися). Они видны после выдвижения телескопической фронтальной панели. Телескопическая вытяжка оснащена концевым переключателем. После каждого выдвижения телескопической фронтальной панели вытяжка начнет работать на ранее установленной скорости.

Если возможность настройки скоростей (при выдвинутой фронтальной панели):

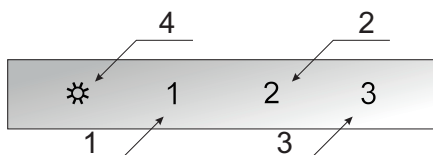
- I- Минимальная скорость. Используйте эту скорость при не очень большом количестве пара.
- II- Средняя скорость. Используйте эту скорость при среднем количестве пара, например, при приготовлении нескольких блюд одновременно.
- III- Максимальная скорость. Используйте эту скорость при максимальном количестве пара, например, во время жарки или приготовления на гриле.
- 0- Вытяжка выключена (выдвижения панели не вызывает запуска двигателя вытяжки).

Кнопка, обозначенная символом  предназначена для включения или отключения освещения. Освещение в вытяжке функционирует независимо от двигателя вытяжки. Концевой переключатель вызывает также выключение света, когда фронтальная панель убирается.

ЭКСПЛУАТАЦИЯ

Управление вытяжкой

Панель управления вытяжки представлена на рисунке 4, для напоминания она также находится ниже:



Панель управления

Оборудована сенсорной панелью. Для включения выбранной функции коснуться одного из указанных ниже полей:

- 1 Минимальная скорость (1). Используйте эту скорость при не очень большом количестве пара.
- 2 Средние скорости (2). Используйте эту скорость при среднем количестве пара, например, при приготовлении нескольких блюд одновременно.
- 3 Максимальная скорость (3). Используйте эту скорость при максимальном количестве пара, например, во время жарки или приготовления на гриле.
- 4 Включение или выключение освещения. Освещение функционирует независимо от двигателя вытяжки.

Чтобы выключить вытяжку, коснитесь сенсора активного поля.

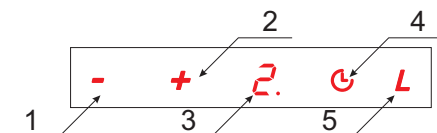
Таймер (выключение вытяжки с задержкой)

Эта функция предназначена для выключения мотора вытяжки с задержкой. Используйте эту функцию после приготовления, чтобы очистить воздух от паров в помещении. Время задержки около 15 минут. Чтобы включить функцию задержки, во время работы вытяжки на любой скорости коснитесь и удерживайте сенсор активной скорости минимум 3 секунды. Сенсор начнет мигать. Мигание сигнализирует настройку времени задержки выключения. Чтобы выключить функцию задержки раньше, коснитесь сенсора, который соответствует активной скорости. Это эквивалентно выключению оборудования. Чтобы продолжить работу, еще раз настроить соответствующую скорость. Функция выключения вытяжки с задержкой не выключает освещение.

ЭКСПЛУАТАЦИЯ

Управление вытяжкой

Панель управления вытяжки представлена на рисунке 4, для напомнимания она также находится ниже:



Панель управления

Оборудована сенсорной панелью. Для включения выбранной функции коснуться одного из указанных ниже полей:

- 1- Снижает скорость двигателя на уровень ниже
- 2- Увеличивает скорость двигателя на уровень выше
- 3- Дисплей, на котором указана выбранная скорость. Вытяжка имеет 3 или 4 скорости (в зависимости от модели).
- 4- Функция выключения вытяжки с задержкой (таймер)
- 5- Включение или выключение освещения. Освещение функционирует независимо от двигателя вытяжки.

Возможные для настройки скорости:

- Минимальная скорость (1). Используйте эту скорость при не очень большом количестве паров.
- Средние скорости (2 и 3*). Используйте эту скорость при среднем количестве паров, например, при приготовлении нескольких блюд одновременно.
- Максимальная скорость (4*). Используйте эту скорость при максимальном количестве паров, например, во время жарки или приготовления на гриле.

* В зависимости от модели

Таймер (выключение двигателя вытяжки с задержкой)

Эта функция предназначена для выключения двигателя вытяжки с задержкой. Используйте эту функцию после приготовления, чтобы очистить воздух от паров в помещении. Максимальное время задержки 90 минут. Для включения этой функции во время работы вытяжки на любой скорости коснуться сенсора . На дисплее начнет мигать цифра . Далее сенсорами и выбрать время задержки выключения в диапазоне 1-9 (каждый уровень добавляет 10 минут, например, при выборе цифры 2 задержка составит 20 минут, при выборе цифры 5 задержка составит 50 минут и т.д.). Еще раз коснуться сенсора для активации функции. Правильная настройка выключения с задержкой будет показана мигающей точкой рядом с цифрой на дисплее. Для выключения функции задержки раньше коснуться сенсора . Далее сенсором снизить время задержки до нуля. Подтвердить аннулирование задержки выключения вытяжки сенсором . Функция задержки выключения вытяжки не вызовет выключение освещения.

Прочая важная информация о работе вытяжки

Работа в качестве фильтра-поглотителя: В этом варианте работы отфильтрованный воздух возвращается обратно в помещение через приспособленные для этого отверстия. Для работы этом режиме должен быть установлен угольный фильтр, а также рекомендуется установить выпускной воздуховод (доступность зависит от модели, встречается, главным образом, в вытяжных шкафах).

Работа в режиме отвода воздуха: В этом режиме кухонная вытяжка выбрасывает загрязненный кухонный воздух из помещения наружу при посредстве специального воздуховода. В этом случае следует извлечь угольный фильтр из вытяжки. Вытяжка подсоединяется к отверстию для отвода воздуха с помощью гибкого или пластикового рукава диаметром 150 мм или 120 мм и соответствующих крепежных скоб, которые можно приобрести в специализированных магазинах. Подсоединение могут выполнять только квалифицированные специалисты.

Скорость вентилятора: Малая и средняя скорости используются при обычных условиях и низкой концентрации паров, максимальная скорость используется только при высокой концентрации паров на кухне, например, во время жарки или использования гриля.

Примечание (относится только к универсальным вытяжкам): Конструкция универсальных вытяжек требует ручного изменения режима работы. Способ изменения показан на рисунке 8.

Примечание (относится только к телескопическим и встроенным вытяжкам): Телескопические и встроенные в шкаф вытяжки, работающие в режиме поглощения, требуют подсоединения трубы для оттока воздуха. Второй конец трубы направить на помещение, через нее будет выходить очищенный воздух.

Примечание: Подвесные вытяжки действуют только в режиме поглощения запахов.

ЧИСТКА И УХОД

Консервация

Регулярная очистка и консервация гарантируют надежную и продолжительную работу кухонной вытяжки. Особое внимание следует обратить на замену алюминиевых жироулавливающих и угольных фильтров в соответствии с рекомендациями производителей.

- Запрещается использовать сильно мокрые тряпочки или мочалки, а также мыть вытяжку под струей воды
- Запрещается использовать для очистки спиртосодержащие средства и растворители, поскольку они вызывают помутнение лакированной (нержавеющей) поверхности,
- Запрещается использовать агрессивные чистящие средства, особенно для чистки поверхностей из нержавеющей стали,
- Запрещается использовать жесткие тряпочки и мочалки.
- Рекомендуется чистить влажной тканью с применением нейтральных моющих средств.

Примечание: После того, как несколько раз помыть алюминиевый фильтр в посудомоечной машине, его цвет может измениться. Изменение цвета не означает неисправность или необходимость его замены.

Жироулавливающий фильтр

Алюминиевый жироулавливающий фильтр следует чистить один раз в месяц при нормальной работе вытяжки, в посудомоечной машине или вручную, применяя мягкое чистящее средство или жидкое мыло. Демонтаж алюминиевого жироулавливающего фильтра показан на рисунке 5.

В некоторых моделях применяется акриловый фильтр. Его необходимо менять каждые 2 месяца или чаще в случаи исключительно интенсивного использования.

Угольный фильтр

Угольный фильтр применяется исключительно в случаях, когда вытяжка подсоединена к вентиляционному воздуховоду. Фильтры с активным углем поглощают запахи вплоть до полного насыщения. Такой фильтр нельзя ни мыть, ни регенерировать, его необходимо заменять, по крайней мере, один раз в 2 месяца или чаще, по мере загрязнения, если вытяжка работает исключительно интенсивно.

Демонтаж угольного фильтра показан на рисунке 6.

Освещение

Применять лампы накаливания / галогены / диодные модули с такими же параметрами, как лампочки заводской установки. Замена лампочки показана на рисунке 7. Если в данном руководстве нет этого рисунка, замену модуля освещения может произвести только авторизованный сервисный центр.

ГАРАНТИЯ, ПОСЛЕПРОДАЖ- НОЕ ОБСЛУЖИВАНИЕ

Гарантия

Правила гарантийного обслуживания изложены в гарантийном талоне. Производитель не отвечает за какой-либо ущерб, причиненный в результате ненадлежащего обращения с прибором.



Производитель оборудования рекомендует, чтобы все ремонтные и регулировочные работы выполнялись заводской сервисной службой или авторизованной сервисной службой производителя. Ремонт должен выполняться только квалифицированным персоналом.

Производитель свидетельствует


Настоящим производитель свидетельствует, что данный бытовой прибор отвечает основным требованиям нижеприведенных директив и требований

- директива по низковольтному оборудованию 2014/35/ЕС,
- директива по электромагнитной совместимости 2014/30/ЕС,
- директива по экологическому проектированию 2009/125/ЕС,
- требование „о безопасности низковольтного оборудования“ ТР ТС 004/2011,
- требование „электромагнитная совместимость технических средств“ ТР ТС 020/2011



Прибор маркируется единым знаком обращения **Eurasian Conformity**, и на него выдан сертификат соответствия для предъявления в органы контроля за рынком.

Құрметті Тұтынушы,

Бүгіннен бастап күнделікті міндеттер анағұрлым жеңілденетін болады.  **Hansa** Haushaltsgeräte құрылғысы – бұл айтарлықтай оңай пайдалану мен керемет тиімділіктің үйлесімі. Нұсқаулықты оқып шыққаннан кейін қызмет көрсету еш қиындық тудырмайды.

Зауыттан шығарылған жабдық қапталар алдында бақылау-сынау стендтерінде қауіпсіздік және атқарымдылық тұрғысынан мұқият тексерілді .

Дұрыс қызмет көрсетпеуінің алдын алу үшін ас үй сорғышын қосар алдында аталмыш пайдалану жөніндегі нұсқаулықпен мұқият оқып танысу керек. Нұсқаулықта көрсетілген нұсқауларды сақтау Сіздің плитаны дұрыс пайдаланбауыңыздың алдын алады. Нұсқаулықты сақтаған дұрыс және оны әрдайым қоластында болатын орындарда ұстаған жөн.

**Төтенше жағдайлардың алдын алу үшін,
жұмысты нұсқаулық бойынша бастаңыз.**

Құрметпен

 **Hansa**
Haushaltsgeräte

ҚАУІПСІЗДІК ТЕХНИКАСЫ БОЙЫНША НҰСҚАУЛАР

- Сүзіндіні қолданар алдында, пайдалану бойынша осы нұсқауды зер салып оқыңыз
- Құрылғы тек тұрмыстық мақсатта ғана қолдануға арналған.
- Өндіруші құрылғы құрылымына қызметіне әсер етпейтін өзгерістерді енгізуге құқылы.
- Өндіруші осы нұсқаудағы ұсыныстарды қадағаламау нәтижесінде аспапты дұрыс пайдаланбаудан туындаған болуы мүмкін зақымдарға, жануға немесе өртке жауап бермейді.
- Асүй сүзіндісі асүй иістерін және булануын жою үшін қызмет етеді. Басқа да мақсаттар үшін қолдануға тыйым салынады.
- Бұру тәртібінде жұмыс істеп тұрған сүзіндіні, тиісті желдеткіш каналына қосу қажет (жану құрылғылары қосылған қаналушы ауа өткізгіштерге, түтіндіктерге немесе желдету шахталарына қосуға тыйым салынады). Сүзінді үшін ауаның сыртқа қайтуымен ауа өткізгішті орнату қажет. Ауа өткізгіштің ұзындығы (көбінесе Ø 120 мм-лік немесе 150 мм-лік құбыр) 4-5 м-ден артық болмауы тиіс. Ауа өткізгіш сіңіру режиміндегі телескопиялық және жиһаздық сіңіргіштерде де талап етіледі.
- Сорып алу тәртібінде жұмыс істейтін сүзінділер үшін белсендірілген көмірмен сүзгі орнату қажет. Осы жағдайда ауа сыртқа қайтарумен ауа өткізгішті орнату қажеттілігі жоқ, бірақ ауаны қайтаруды реттегіш құрастыру ұсынылады (тек ағынды сүзінді).
- Сүзінді желдеткіш жұмысының бірнеше жылдамдығынан біреуін таңдау мүмкіншілігімен

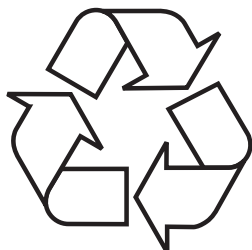
тәуелсіз жарықпен және сүзінді желдеткішімен жабдықталған.

- Құрылғының нұсқасына байланысты сүзінді газ немесе электрлік плита үстінен вертикаль қабырғаларына (ағынды және жан-жақты сүзінділер); газ немесе электр плита үстінен төбесіне (аралдық сүзінділер); газ немесе электрлік плита үстінен вертикаль қабырғасына шкафқа (телескоптық немесе шкафқа салып қоятын) тұрақты құрастыру үшін арналған. Құрастыру алдында Сізбен сатып алынған сүзіндіні қабырға/төбе ұстай алатынына көз жеткізу қажет Сүзіндінің кейбір үлгілері өте ауыр.
- Электрлік плитаның үстінен құрылғыны құрастыру биіктігі өнім төлқұжатында көрсетілген (құрылғының техникалық ерекшелігі). Газ жабдықтарын орнату жөніндегі нұсқаулықта ұзақ қашықтық көрсетілген болса, бұны ескеру керек (1 суреті).
- Асүй сүзіндінің астында плитадан кастрөлді алу уақытында ашық отты ашық қалдыруға тыйым салынады, алаудың ең төмендігін реттеу керек. Қуаттың орынсыз шығынына және заттың қауіпті шоғырлауына келтіретін болғандықтан, ыдыс-аяқтардың шектен тыс шықпауы үшін алауды ескеріңіз.
- Үлкен мөлшерлі маймен немесе сарымаймен ас әзірлеу кезінде плитаны қараусыз қалдыруға болмайды. Қызған май немесе сарымай өздігінен тұтануы және сүзіндінің жануына келтіруі мүмкін.
- Әр жолы тазалау, сүзгіні ауыстыру немесе жөндеу алдында қоректендіру көзінен сүзіндіні ажыратыңыз.
- Асүй сүзіндісіне арналған майтұтқы сүзгіні айына 1 рет тазалау қажет, себебі майға қаныққан сүзгі жеңіл тұтаналады.

- Сүзінді орнатылған жайда басқа электрлік емес аспаптарды пайдалану (мысалы, сұйық отындықта жұмыс істейтін пештер, қазандықтар, бойлер немесе ағынды су жылытқыштар), жеткілікті желдеткіштерді қамтамасыз ету қажет. Егер тоқты ажырату 0,004 мбар аспаған жағдайда ғана осы құрылғыларды орнату орнында жану құрылғысы бөлме ауасына байланысты және сүзіндінің бір уақытта жұмыс істеуі кезінде пайдалану қауіпсіздігі мүмкін (иістерді сіңіргіш ретінде асүй сүзінділері қолданылса осы шарттар міндеттелмейді).
- Асүй сүзіндісіне білекпен тірелуге тыйым салынады.
- Сіңіргіш осы нұсқаулықта көрсетілген консервацияға қатысты нұсқауларды ұстана отырып, ішінен де, сыртынан да жиі (АЙЫНА БІР РЕТТЕН СИРЕТПЕИ) тазартылуы тиіс. Сіңіргішті тазартуға және сүзгіштерді ауыстыруға қатысты қағидаттарды ұстанбау, өрт шығу қаупінің туындауына себеп болады.
- Электрлік сымында ақау болған жағдайда оны тек арнайы маманданған жөндеу шеберханасында алмастыру керек.
- Қос полюсті ажыратқыш немесе розеткадан электр өткізгішін созып тұру көмегімен қоректендіруші желіден аспапты ажырату мүмкіншілігін қамтамасыз ету қажет
- Балаларға және дене, мануальды және ақыл-ой мүмкіншілігі шектеулі тұлғаларға, олар оқытылғанға және аспапты пайдалану бойынша нұсқаумен таныстырылғанға дейін аспапты қолдануға рұқсат бермеңіз.
- Балалар ата-ананың қарауынсыз қалғанда, балалардың құрылғыны қолдана алмайтынына ерекше назар аудару қажет.
- Асүй сүзіндісінің зауыттық қалқаншасында көрсетілген қуатына желідегі қуаттың сәйкес

- келуіне көз жеткізіңіз.
- Сүзіндіні орнатар алдында электрлік қоректендірудің сымын тарқатып алу және түзету қажет.
 - Орау материалдарын (полиэтиленды қаптар, пенопласт бөлшектері және т.б.) құрылғыны ашу үрдісі кезінде балалардан алыс ұстау керек.
 - Сіңіргішті желілік қуат көзіне қосар алдында қуат кабелінің дұрыс орнатылғанын және монтаждау жұмыстары барысында сіңіргішпен ҚЫСЫЛМАҒАНЫН тексеріп алған жөн. Құрылғыны орнату аяқталғанға дейін электр желісіне қоспаңыз.
 - Май ұстайтын алюминийлі сүзгіштері орнатылмаған сіңіргіштерді пайдалануға тыйым салынады.
 - Ашық отты пайдаланумен сүзінді астында ас әзірлеуге қатаң тыйым (салынады).
 - Пайдаланылған газды бұру үшін қажетті техникалық құралдарды және қауіпсіздік құралдарын қолдану саласында құзіретті жергілікті органдармен берілген ережелерді қатаң қадағалау керек.
 - Осы нұсқауда көрсетілген соңына дейін бүркелмеген бұрамалар және бекітілмеген элементтер өмір және денсаулық үшін қауіптілік туындауы мүмкін
 - Аспалы сіңіргіштер иістерді сіңіру режимінде ғана жұмыс істейді

ОРАУДАН АШУ



Құрылғыны тасымалдау кезінде зағымдалудан қорғау қарастырылған. Құрылғыны ашқаннан кейін орау элементтерін қоршаған ортаны ластанмай жинаңыз.

Орау үшін қолданылған барлық материалдар, қоршаған ортаға зиянсыз 100% қайта өңделе алады, сәйкес символмен таңбалауға ие.

Назар аударыңыз! Орау материалдарын (полиэтиленды қаптар, пенопласт бөлшектері және т.б.) құрылғыны ашу үрдісі кезінде балалардан алыс ұстау керек.

ПАЙДАЛАНЫЛҒАН ҚҰРЫЛҒЫЛАРДЫ КӘДЕГЕ ЖАРАТУ



Осы құрылғы 2012/19/ЕС Еуропалық директивасына және Тозған электрлік және электрондық құрылғылар туралы польшалық заңға сәйкес сызып тасталған қоқыс контейнерінің таңбасымен таңбаланады. Бұндай таңбалау бұл құрылғыны, пайдаланудан кейін басқа да тұрмыстық қалдықтармен бірге лақтыруға болмай-

тындығы жайлы ақпараттандырады.

Пайдаланушы құрылғыны қолданыста болған электрлік және электрондық құрылғыларды жинаушыларға тапсыруға міндетті. Қалдықтарды жинаушылар, жинау пунктері, дүкендер және бөлімшелер бұл құрылғыны тапсыруға мүмкіндік беретін жүйені құрайды.

Пайдалануда болған электрлік және электрондық құрылғы адам денсаулығына және қоршаған орта салдарына, бар болатын қауіпті құрылымды элементтерінен, сонымен қатар мұндай құрылғының қайта дұрыс жұмыс істемеуіне және қоймалануына қауіптіліктің алдын алуға бұл қаулы мүмкіндік береді.

ПАЙДАЛАНУ

Сіңіргішті басқару


Сіңіргішті басқару панелі 4-суретте көрсетілген және еске түсіру үшін төменде келтірілген:



Басқару панелі түймелермен қамтылған (isostat).

Сүзіндіні қосу үшін, тиісті түймені басу арқылы төменде сипатталған жылдамдық режимдерінің бірін таңдаңыз:

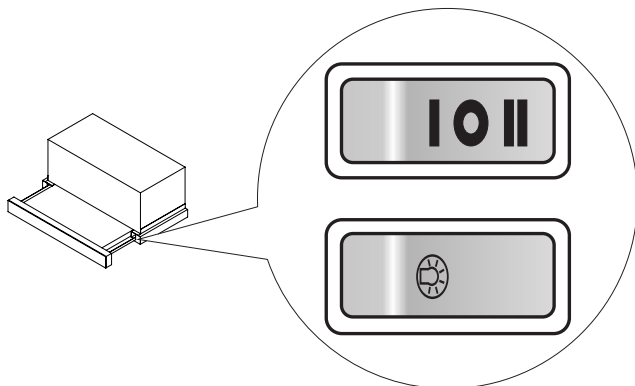
- 1- Ең төмен жылдамдық. Осы жылдамдықты булардың онша көп емес мөлшерінде қолданыңыз.
- 2- Орташа жылдамдығы. Осы жылдамдықты булардың орташа мөлшерінде қолданыңыз, мысалы, бірнеше тағамды бір уақытта әзірлеген кезде.
- 3- Ең жоғары жылдамдық. Осы жылдамдықты булардың ең жоғары мөлшерінде, мысалы, қуырған кезде немесе грильде ас әзірлеген кезде.
- 4- Сүзіндіні сөндіру

Нышанымен  белгіленген түйме жарықтандыруды қосуға немесе сөндіруге арналған. Сүзіндідегі жарықтандыру жылдамдық режиміне қарамастан жұмыс істейді.

ПАЙДАЛАНУ

Сіңіргішті басқару


Сіңіргішті басқару панелі 4-суретте көрсетілген және еске түсіру үшін төменде келтірілген:



Басқару панелі батырмалармен (теңселмелі) жабдықталған. Олар телескоптық тұтас панельді жылжытқаннан кейін көрінеді. Телескоптық сорғыш ұштық ауыстырып-қосқышпен жабдықталған. Телескоптық тұтас панельді әбір жылжытқаннан кейін сорғыш ертеректе орнатылған жылдамдықпен жұмыс істей бастайды.

Егер жылдамдықтарды күйлеу мүмкіндігі (тұтас панель жылжытылған кезде):

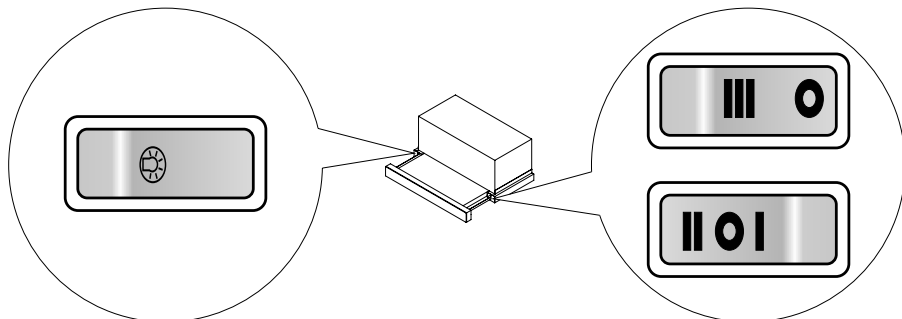
- I- Ең төмен жылдамдық. Осы жылдамдықты булардың онша көп емес мөлшерінде қолданыңыз.
- II- Ең жоғары жылдамдық. Осы жылдамдықты булардың ең жоғары мөлшерінде, мысалы, қуырған кезде немесе грильде ас әзірлеген кезде.
- Сорғыш сөндірулі (панельді жылжыту сорғыш қозғалтқышының іске қосылуын тудырмайды).

Нышанымен  белгіленген түйме жарықтандыруды қосуға немесе сөндіруге арналған. Сорғыштағы жарықтандыру сорғыштың қозғалтқышына тәуелденбей әрекет етеді. Ұштық ауыстырып-қосқыш татұтас панель алынып тасталған кезде жарықты сөндіреді.

ПАЙДАЛАНУ

Сіңіргішті басқару


Сіңіргішті басқару панелі 4-суретте көрсетілген және еске түсіру үшін төменде келтірілген:



Басқару панелі батырмалармен (теңселмелі) жабдықталған. Олар телескоптық тұтас панельді жылжытқаннан кейін көрінеді. Телескоптық сорғыш ұштық ауыстырып-қосқышпен жабдықталған. Телескоптық тұтас панельді әбір жылжытқаннан кейін сорғыш ертеректе орнатылған жылдамдықпен жұмыс істей бастайды.

Егер жылдамдықтарды күйлеу мүмкіндігі (тұтас панель жылжытылған кезде):

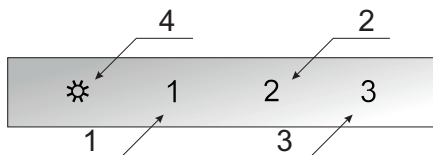
- I- Ең төмен жылдамдық. Осы жылдамдықты булардың онша көп емес мөлшерінде қолданыңыз.
- II- Орташа жылдамдығы. Осы жылдамдықты булардың орташа мөлшерінде қолданыңыз, мысалы, бірнеше тағамды бір уақытта әзірлеген кезде.
- III- Ең жоғары жылдамдық. Осы жылдамдықты булардың ең жоғары мөлшерінде, мысалы, қуырған кезде немесе грильде ас әзірлеген кезде.
- Сорғыш сөндірулі (панельді жылжыту сорғыш қозғалтқышының іске қосылуын тудырмайды).

Нышанымен  белгіленген түйме жарықтандыруды қосуға немесе сөндіруге арналған. Сорғыштағы жарықтандыру сорғыштың қозғалтқышына тәуелденбей әрекет етеді. Ұштық ауыстырып-қосқыш татұтас панель алынып тасталған кезде жарықты сөндіреді.

ПАЙДАЛАНУ

Сіңіргішті басқару

Сіңіргішті басқару панелі 4-суретте көрсетілген және еске түсіру үшін төменде келтірілген:



Басқару панелі

Сенсорлық панельмен жабдықталған. Таңдалған атқарымды қосу үшін төменде көрсетілген алаңдардың бірін түрту керек:

- 1 Ең төменгі жылдамдық (1). Осы жылдамдықты булардың онша көп емес мөлшерінде қолданыңыз.
- 2 Орташа жылдамдықтар (2). Осы жылдамдықты булардың орташа мөлшерінде қолданыңыз, мысалы, бірнеше тағамды бір уақытта әзірлеген кезде.
- 3 Ең жоғары жылдамдығы (3). Осы жылдамдықты булардың ең жоғары мөлшерінде, мысалы, қуырған кезде немесе грильде ас әзірлеген кезде.
- 4 Жарықтандыруды қосу немесе сөндіру. Жарықтандыру сіңіргіштің қозғалтқышына қарамастан жұмыс істейді.

Сүзіндіні сөндіру үшін, белсенді өрістің сенсорын түртіңіз.

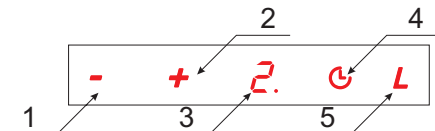
Таймер (сорғышты кідіртіп сөндіру)

Бұл атқарым сорғыштың моторын кідіртіп сөндіруге арналған. Орынжайдағы ауаны булардан тазарту үшін, ас әзірлеп болғаннан кейін осы атқарымды қолданыңыз. Кідіріс уақыты шамамен 15 минут. Кідіріс атқарымын қосу үшін, сүзінді кез келген жылдамдықта жұмыс істеп жатқан кезде белсенді жылдамдық сенсорын түртіңіз де, кемінде 3 секунд бойы ұстап тұрыңыз. Сенсор жылтылдап бастайды. Жыпылықтау, сөндіру кідірісінің уақытын теңшеуді аңғартады. Кідіріс атқарымын ертерек сөндіру үшін, белсенді жылдамдыққа сай келетін сенсорды түртіңіз. Бұл жабдықты сөндіруге тең келеді. Жұмысты жалғастыру үшін, тиісті жылдамдықты тағы да бір рет теңшеу керек. Сүзіндіні кідіріспен сөндіру атқарымы жарықтандыру жүйесін сөндірмейді.

ПАЙДАЛАНУ

Сіңіргішті басқару

Сіңіргішті басқару панелі 4-суретте көрсетілген және еске түсіру үшін төменде келтірілген:



Басқару панелі

Сенсорлық панельмен жабдықталған. Таңдалған атқарымды қосу үшін төменде көрсетілген алаңдардың бірін түрту керек:






- 1- Қозғалтқыштың жылдамдығын бір деңгейге төмендетеді
- 2- Қозғалтқыштың жылдамдығын бір деңгейге арттырады
- 3- Таңдалған жылдамдық көрсетілген бейнебет. Сіңіргіш 3 немесе 4 жылдамдыққа ие (үлгісіне қарай).
- 4- Сіңіргішті кідіріспен сөндіру атқарымы (таймер)
- 5- Жарықтандыруды қосу немесе сөндіру. Жарықтандыру сіңіргіштің қозғалтқышына қарамастан жұмыс істейді.

Жылдамдықты теңшеу үшін ықтимал:

- Ең төменгі жылдамдық (1). Осы жылдамдықты булардың онша көп емес мөлшерінде қолданыңыз.
- Орташа жылдамдықтар (2 және 3*). Осы жылдамдықты булардың орташа мөлшерінде қолданыңыз, мысалы, бірнеше тағамды бір уақытта әзірлеген кезде.
- Ең жоғары жылдамдығы (4*). Осы жылдамдықты булардың ең жоғары мөлшерінде, мысалы, қуырған кезде немесе грильде ас әзірлеген кезде.

* Үлгісіне қарай

Таймер (сіңіргіштің қозғалтқышын кідіріспен сөндіру)

Бұл атқарым, сіңіргіштің қозғалтқышын кідіріспен сөндіруге арналған. Орынжайдағы ауаны булардан тазарту үшін, ас әзірлеп болғаннан кейін осы атқарымды қолданыңыз. Ең көп кідіріс уақыты 90 минут. Сіңіргіш жұмыс істеп тұрған кезде осы атқарымды қосу үшін, кез келген жылдамдықта  сенсорын түртіңіз. Бейнебетте  саны жыпылықтай бастайды. Содан соң, **+** және **-** сенсорларымен 1-9 ауқымында сөндіру кідірісінің уақытын таңдаңыз (әрбір деңгей 10 минут қосады, мысалы 2 санын таңдаған кезде кідіріс 20 минутты құрайды, ал 5 санын таңдаған кезде кідіріс 50 минутты құрайды және т.б.). Атқарымды белсенді ету үшін  сенсорын тағы да түртіңіз. Кідіріспен сөндіруді дұрыс теңшеу, бейнебеттегі санның жанында жыпылықтайтын нүктемен көрсетілетін болады. Кідіріс атқарымын өндіру үшін  сенсорын түртіңіз. Содан соң, **-** сенсорымен кідіріс уақытын нөлге дейін түсіріңіз. Сіңіргішті сөндіру кідірісін жойғаныңызды  сенсорымен растаңыз. Сіңіргішті сөндіру кідірісі атқарымы жарықтандырудың сөндірілуіне себеп болмайды.

Сорғыштың жұмысы туралы өзге маңызды ақпарат

Сіңіргіш-сүзгі ретіндегі жұмысы: Бұл нұсқада әдетте сүзілген ауа осы арнайы бейімделген саңылау арқылы орынжайға кері қайтарылады. Осы тәртіпте жұмыс істеу үшін бұрыштық сүзгі орнатылуы тиіс, сондай-ақ шығарушы ауа өткізгішті орнатуға кеңес беріледі (қолжетімдігі үлгіге байланысты, ең алдымен, сорғыш шкафтарда кездеседі).

Ауа шығару тәртібінде жұмыс істеу: Ауаны шығару тәртібінде асүй сүзіндісі арнайы ауа өткізгіш жәрдеммен жайдан сыртқа ластанған асүй ауасын шығарып тастайды. Осы жағдайда сүзіндіден көмір сүзгісін шығарған дұрыс. Мамандандырылған дүкендерде сатып алуға болатын тиісті бекіту қапсырмаларымен және 150 мм немесе 120 мм диаметрлі иілгіш немесе пластикалық сала көмегімен ауаны шығару үшін тесікке сүзінді қосылады. Қосуды тек білікті мамандар ғана орындай алады.

Желдеткіштің жылдамдығы: Шағын және орта жылдамдық қалыпты шарттар және булардың төмен концентрациялауы кезінде қолданылады, максималды жылдамдық ас үйде булардың жоғары концентрациялауы кезінде ғана қолданылады, мысалы, қуыру немесе гриль қолдану уақытында.

Ескертпе (әмбебап сорғыштарға ғана қатысты): Әмбебап сорғыштардың құрылымы жұмыс тәртібін қолмен өзгертуді талап етеді. Өзгерту әдісі 8-суретте көрсетілген.

Ескертпе (телескоптық және кіріктірме сорғыштарға ғана қатысты): Шкафтағы телескоптық және салып қойылған сіңіру тәртібінде істейтін сүзінділер ауаның қайтуы үшін құбырды қосуды талап етеді. Құбырдың екінші соңғысын жайға бағыттаңыз, сол арқылы тазартылған ауа шығады.

Назар аударыңыз: Аспалы сорғыштар иістерді сіңіру тәртібінде ғана әрекет етеді.

ТАЗАРТУ ЖӘНЕ КҮТІМ

Консервациялау

Ұдайы тазалау және консервациялау асүй сүзіндісінің сенімді және жалғастыру жұмысына кепілденеді. Өндірушінің ұсыныстарына сәйкес алюминді май тұтқы немесе көмір сүзгілерін ауыстыруға ерекше назар аудару қажет.

- Қатты дымқыл шүберектерді немесе жөкелерді қолдануға, сонымен қатар суды сорғалатып сүзіндіні жууға тыйым салынады.
- Тазалау үшін спиртті және ерітінді құралдарын қолдануға тыйым салынады, себебі олар үстінің (тот баспайтын) лакталған лайлануды келтіреді.
- Тот баспайттын болаттан үстін тазалау үшін агрессивті жуу құралдарын қолдануға тыйым салынады.
- Қатты шүберектерді және, жөкелерді қолдануға тыйым салынады
- Бейтарап жуу құралдарын қолданумен ылғалды матамен тазалау ұсынылады.

Назар аударыңыз: Ыдыс жуу машинасында алюминді сүзгіні бірнеше рет жуғаннан кейін, оның түсі өзгеруі мүмкін. Түсті өзгерту жарамсыздықты немесе оны ауыстыру қажеттілігін білдірмейді.

Май аулағыш сүзгі

Алюминді май тұтқы сүзгісін жұмсақ жуу құралдарын немесе сұйық сабынды қолданумен ыдыс жуу машиналарында немесе қолмен сүзіндінің қалыпты жұмысы кезінде айына бір рет тазалау қажет.

Алюминді май тұтқы сүзгілерін бөлшектеу 5 суретте көрсетілген.

Кейбір үлгілерде акрилдық сүзгілер қолданылады. Жіті қолдану жағдайындаоны 2 айда немесе жиірек ауыстыру қажет.

Бұрыштық сүзгі

Көмір сүзгісі желдеткіш ауа өткізгішіне сүзінді қосылған жағдайда қолданылады. Белсендірілген көмір сүзгілері толық қанықтырғанға дейін иістерге шейін сіңіреді. Осындай сүзгіні жууға, регенациялауға болмайды, егер сүзінді жіті жұмыс істесе, ластану шарасы бойынша 2 айда бір рет немесе жиірек өте шарасы кезінде ауыстыру қажет.

Көмір сүзгісін бөлшектеу 6 суретте көрсетілген.

Жарықтандыру

Зауытты орнату шамдары сияқты қыздыру/галоген/диодты үлгілердегі шамдарды қолдану. Шамдарды ауыстыру 7 суретте көрсетілген. Егер осы нұсқаулықта ондай сурет болмаса, жарықтандыру модулін авторластырған сервистік орталық ғана ауыстыра алады.

КЕПІЛДІК, САТҚАННАН КЕЙІНГІ ҚЫЗМЕТ КӨРСЕТУ

Кепілдік

Кепілдік қызмет көрсету ережесі кепілдік талонында баяндалған. Өндіруші кір жуғыш машинасын тиісті түрде қолданбау нәтижесінде келтірілген қандай да бір залал үшін жауапкершілік тартпайды.



Жабдықты өндіруші барлық жөндеу және реттеу жұмыстарын өндірушінің зауыттық сервистік қызметінің немесе авторластырылған сервистік қызметінің орындауына кеңес береді. Жөндеуді білікті қызметкерлер құрамы ғана орындауы тиіс.


Өндірушінің мәлімдемесі

Осымен өндіруші тұрмыстық аспабының төмендегі көрсетілген негізгі талаптар мен басшылықтарына сәйкес келеді деп куәландырады;

- төменвольтті жабдықтар директивасы 2014/35/ЕС,
- электромагниттік үйлесімділік директивасы 2014/30/ЕС,
- қоршаған ортаны жобалау директивасы 2009/125/ЕС,
- „төмен вольтты жабдықтардың қауіпсіздігі үшін” талап TP TC 004/2011,
- „техникалық құралдардың электромагниттік үйлесімділігі” талап TP TC 020/2011

Аспап **ЕАС** сәйкестікті белгілсімен таңбаланады, және оған нарықты бақылау мекемелерге ұсынылатын сәйкестік сертификаты беріледі.

Gerbiamas Kliente,

nuo šiol kasdienės pareigos pasidarys daug paprastesnės nei kada nors buvo. Prietaisas  yra ypač paprasto naudojimo ir puikaus veiksmingumo derinys. Perskaičius instrukciją, priežiūra nekels jokių problemų.

Prieš supakuojant gamyklos kontrolės tarnybos atidžiai patikrino įrangos saugą ir funkcionalumą.

Prieš jungdami prietaisą prašome atidžiai perskaityti naudojimo instrukciją. Laikydami instrukcijoje pateikiamų nurodymų, išvengsite netinkamo naudojimo atvejų. Instrukciją būtina išsaugoti ir laikyti taip, kad visada būtų po ranka.

Būtina kruopščiai laikytis naudojimo instrukcijos nurodymų, kad išvengtumėte nelaimingų atsitikimų.

Su pagarba

 **Hansa**
Haushaltsgeräte

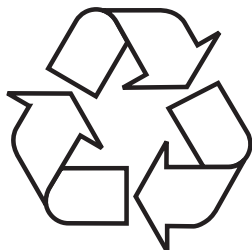
SAUGOS NURODYMAI

- Gartraukį naudoti tik perskaičius šią instrukciją
- Įrenginys skirtas naudoti tik buityje.
- Gamintojas pasilieka teisę daryti pakeitimus, kurie nedaro įtakos prietaiso veikimui.
- Gamintojas neatsako už galimą žalą ar gaisrą, sukeltą prietaiso, jeigu nebuvo laikomasi šioje instrukcijoje pateikiamų nurodymų.
- Virtuvinis gartraukis skirtas garams šalinti. Nenaudoti kitiems tikslams.
- Ištraukiamuoju režimu veikiančią gartraukį prijungti prie atitinkamo vėdinimo kanalo (nejungti prie naudojamų kamino kanalų, dūmtakių ar išmetamųjų dujų kanalų). Būtina įrengti laukan orą šalinantį vamzdį. Vamzdis (dažniausiai \varnothing 120 mm arba 150 mm) neturėtų būti ilgesnis nei 4–5 m. Oro šalinimo vamzdis taip pat būtinas, kai ištraukiamasis ir baldinis gartraukis veikia sugeriamuoju režimu.
- Sugeriamuoju režimu veikiančiam gartraukiui būtina įrengti filtrą su aktyvinta anglimi. Tokiu atveju nereikia įrengti laukan orą šalinančio vamzdžio, bet rekomenduojama sumontuoti oro srauto kreiptuvą (tik kamino gartraukiams).
- Gartraukyje įrengtas nepriklausomas apšvietimas ir ištraukiamasis ventiliatorius su keliais sukimo greičiais.
- Atsižvelgiant į įrenginio versiją, gartraukis tvirtinamas visam laikui prie vertiklios sienos virš dujinės ar elektrinės viryklės (kamino ir universalieji gartraukiai); prie lubų virš dujinės ar elektrinės viryklės (erdviniai gartraukiai); prie vertiklios sienos balduose virš dujinės ar elektrinės viryklės (teleskopiniai ir įmontuojamieji gartraukiai). Prieš montuojant įsitikinti, ar sienos / lubų konstrukcija yra tinkama gartraukiui išlaikyti. Kai

- kurių modelių gartraukiai yra labai sunkūs.
- Įrenginio montavimo virš elektrinės viryklės aukštis nurodytas gaminio kortelėje (įrenginio techninėje specifikacijoje). Jeigu dujinės įrangos diegimo instrukcijoje nurodytas didesnis atstumas, būtina į tai atsižvelgti (1 pieš.).
 - Po virtuviniu gartraukiu negalima palikti atviros liepsnos, nukeliant indus nuo degiklio būtina palikti mažiausią liepsną. Visada būtina tikrinti, ar liepsna nesklinda už indo, nes be reikalo eikvojama energija ir pavojingai įkaista pats indas.
 - Su riebalais ruošiamus patiekalus būtina nuolat prižiūrėti, nes perkaitę riebalai gali lengvai užsidegti.
 - Kiekvieną kartą prieš valant, keičiant filtrą ar taisant būtina ištraukti prietaiso kištuką iš elektros lizdo.
 - Gartraukio riebalų filtrą būtina valyti bent kas 1 mėnesį, nes prisigėręs riebalų yra degus.
 - Jeigu patalpoje, be gartraukio, naudojami ir kiti neelektriniai prietaisai (pvz., skystojo kuro krosnys, momentiniai šildytuvai, boileriai), būtina pasirūpinti pakankamu vėdinimu (oro tiekimu). Saugus eksploatavimas yra galimas, kai vienu metu veikia gartraukis ir kurą deginantys prietaisai, kuriems būtinas oras patalpoje, jeigu šių prietaisų stovėjimo vietoje neigiamas slėgis neviršija 0,004 milibaro (šis reikalavimas netaikomas, jeigu virtuvinis gartraukis naudojamas kaip kvapų sugėriklis).
 - Gartraukis neturėtų būti naudojamas kaip vieta atsiremti virtuvėje esantiems asmenims.
 - Būtina valyti gartraukio išorę ir vidų (BENT KARTĄ PER MĖNESĮ, laikantis šioje instrukcijoje pateiktamų priežiūros nurodymų). Jeigu nesilaikoma gartraukio valymo ir filtrų keitimo taisyklių, gali kilti gaisro pavojus.

- Jeigu pažeidžiamas maitinimo laidas, būtina jį pakeisti specializuotoje taisykloje.
- Būtina užtikrinti galimybę išjungti įrenginį iš elektros tinklo ištraukiant kištuką ar išjungiant dvipolį jungiklį.
- Prietaisas nėra skirtas naudoti asmenims, kurių fiziniai, jutiminiai ar protiniai gebėjimai yra riboti (taip pat ir vaikams), ar neturintiems patirties arba neišmanantiems prietaiso, nebent naudojamasi prižiūrint asmeniui, atsakingam už jų saugumą, ir laikantis prietaiso naudojimo instrukcijos.
- Būtina ypač atkreipti dėmesį, kad įrenginiu nesinaudotų vaikai, palikti be priežiūros.
- Patikrinti, ar vardinėje lentelėje nurodyta įtampa atitinka vietos elektros tinklo parametrus.
- Prieš montuojant išvynioti ir išlyginti tinklo laidą.
- Nuimamas pakavimo medžiagas (polietileno maišelius, putplasčio gabaliukus ir pan.) laikyti atokiau nuo vaikų.
- Prieš jungiant gartraukį į tinklą būtina visada patikrinti, ar maitinimo laidas tinkamai prijungtas ir NEPRISPAUSTAS montuojamo gartraukio. Nebaigus montuoti, nejungti įrenginio į elektros tinklą.
- Draudžiama naudoti gartraukį, jeigu nesudėti aliumininį riebalų filtrai.
- Griežtai draudžiama po gartraukiu ruošti maistą naudojant atvirą liepsną (apipilant spiritu ir pagėgant).
- Išmetamųjų dujų šalinimo privalomųjų techninių ir saugos priemonių taikymo atveju būtina griežtai laikytis įgaliotų vietos valdymo institucijų išduotų reikalavimų.
- Nepriveržti varžtai ir tvirtinimo elementai, kaip reikalaujama šioje instrukcijoje, gali kelti pavojų sveikatai ir gyvybei.
- Kabamieji gartraukiai veikia tik kvapų sugeriamuoju režimu.

IŠPAKAVIMAS



Prietaisas yra apsaugotas nuo pažeidimų pervežant. Išpakavęs prietaisą, pakuotės elementus prašome pašalinti taip, kad nekenktų aplinkai.

Visos pakavimo medžiagos yra nekenksmingos aplinkai, 100 % tinkamos pakartotinai perdirbti ir yra paženklintos reikiamu simboliu.

Dėmesio! Nuimamas pakavimo medžiagas (polietileno maišelius, putplasčio gabaliukus ir pan.) laikyti atokiau nuo vaikų.

PANAUDOTŲ PRIETAISŲ ŠALINIMAS



Šis prietaisas ženklina perbraukto atliekų konteinerio ženklą pagal Europos direktyvą 2012/19/EB ir Lenkijos panaudotų elektrinių ir elektroninių prietaisų įstatymą. Toks ženklas rodo, kad pasibaigus prietaiso naudojimo laikotarpiui, prietaiso negalima išmesti su kitomis buities atliekomis.

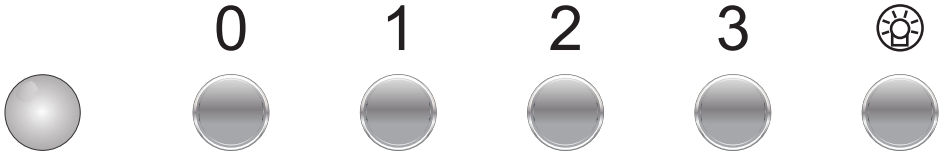
Vartotojas privalo tokį prietaisą atiduoti panaudotų elektrinių ir elektroninių prietaisų surinkėjams. Surinkėjai, taip pat vietos surinkimo taškai, parduotuvės ir įmonės sudaro tinklą, kur galima atiduoti tokią įrangą.

Tinkamai elgiantis su panaudota elektrine ir elektronine įranga padedama išvengti kenksmingų padarinių žmonių sveikatai ir aplinkai dėl įrangoje esančių pavojingų medžiagų, netinkamo įrangos laikymo ir perdirbimo.

NAUDOJIMAS

Gartraukio valdymas


Gartraukio valdymo skydas parodytas 4 piešinyje, priminti pateikiamas ir toliau:



Valdymo skyde yra mygtukai (isostat).

Gartraukiui įjungti rinktis vieną iš toliau aprašomų pavaru, t. y. spausti atitinkamą mygtuką:

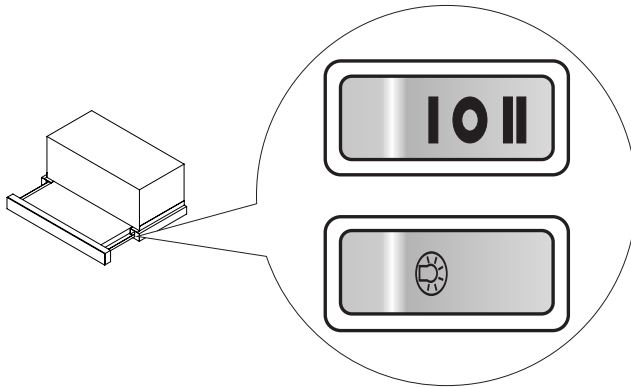
- 1- Žemiausia pavara. Ši pavara naudojama, kai garų yra nedaug.
- 2- Vidutinė pavara. Ši pavara naudojama, kai garų yra vidutiniškai, pvz., vienu metu gaminant kelis patiekalus.
- 3- Aukščiausia pavara. Ši pavara naudojama, kai garų yra daugiausia, pvz., kepant.
- 4- Išjungti gartraukį

Mygtukas  naudojamas apšvietimui įjungti arba išjungti. Gartraukio apšvietimas veikia nepriklausomai nuo variklio pavaros.

NAUDOJIMAS

Gartraukio valdymas

Gartraukio valdymo skydas parodytas 4 piešinyje, priminti pateikiamas ir toliau:




Valdymo skyde yra mygtukų (lopšys). Mygtukai matomi ištraukus teleskopinį priedą.

Teleskopiniame gartraukyje įrengtas kraštinis jungiklis. Kiekvieną kartą, kai ištraukiamas teleskopinis priedas, gartraukis pradeda veikti anksčiau nustatyta pavara.

Galimos nustatyti pavaros (kai priekis ištrauktas):

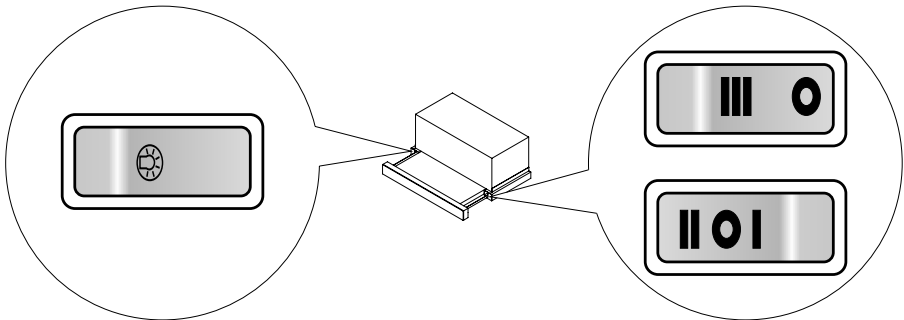
- I- Žemiausia pavara. Ši pavara naudojama, kai garų yra nedaug.
- II- Aukščiausia pavara. Ši pavara naudojama, kai garų yra daugiausia, pvz., kepant.
- Gartraukis išjungtas (ištraukus skydą, nepaleidžiamas gartraukio variklis).

Mygtukas  naudojamas apšvietimui įjungti arba išjungti. Gartraukio apšvietimas veikia nepriklausomai nuo gartraukio variklio. Kraštinis jutiklis taip pat išjungia šviesą, kai įstumiamas priekinis skydas.

NAUDOJIMAS

Gartraukio valdymas

Gartraukio valdymo skydas parodytas 4 piešinyje, priminti pateikiamas ir toliau:




Valdymo skyde yra mygtukų (lopšys). Mygtukai matomi ištraukus teleskopinį priedą.

Teleskopiniame gartraukyje įrengtas kraštinis jungiklis. Kiekvieną kartą, kai ištraukiamas teleskopinis priedas, gartraukis pradeda veikti anksčiau nustatyta pavara.

Galimos nustatyti pavaros (kai priekis ištrauktas):

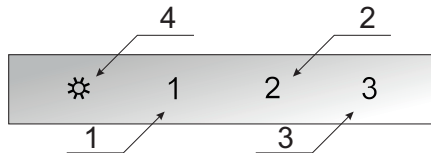
- I- Žemiausia pavara. Ši pavara naudojama, kai garų yra nedaug.
- II- Vidutinė pavara. Ši pavara naudojama, kai garų yra vidutiniškai, pvz., vienu metu gaminant kelis patiekalus.
- III- Aukščiausia pavara. Ši pavara naudojama, kai garų yra daugiausia, pvz., kepant.
- Gartraukis išjungtas (ištraukus skydą, nepaleidžiamas gartraukio variklis).

Mygtukas  naudojamas apšvietimui įjungti arba išjungti. Gartraukio apšvietimas veikia nepriklausomai nuo gartraukio variklio. Kraštinis jutiklis taip pat išjungia šviesą, kai įstumiamas priekinis skydas.

NAUDOJIMAS

Gartraukio valdymas

Gartraukio valdymo skydas parodytas 4 piešinyje, priminti pateikiamas ir toliau:



Valdymo skydas

Jame yra jutiklių skydas. Norint paleisti pasirinktą funkciją, paliesti vieną iš šių laukelių:

- 1 Žemiausia pavara (1). Ši pavara naudojama, kai garų yra nedaug.
- 2 Vidutinės pavaros (2). Ši pavara naudojama, kai garų yra vidutiniškai, pvz., vienu metu gaminant kelis patiekalus.
- 3 Aukščiausia pavara (3). Ši pavara naudojama, kai garų yra daugiausia, pvz., kepanant.
- 4 Apšvietimo įjungimas arba išjungimas. Apšvietimas veikia nepriklausomai nuo gartraukio variklio.

Gartraukiui išjungti paliesti aktyvaus lauko jutiklį.

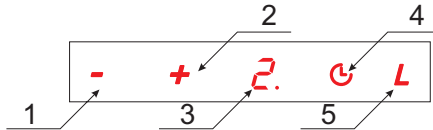
Laikmatis (vėlesnis gartraukio išjungimas)

Ši funkcija naudojama vėliau išjungti gartraukio variklį. Funkciją naudoti baigus gaminti, kad iš patalpos oro pašalintų garus. Atidėjimo trukmė – apie 15 minučių. Atidėjimo funkcijai įjungti, kai gartraukis veikia bet kuria pavara, paliesti jutiklį su aktyvia pavara ne trumpiau nei 3 sekundes. Jutiklis ima mirgėti. Mirgėjimas rodo, kad teisingai nustatytas išjungimo atidėjimo laikas. Atidėjimo funkcijai išjungti prieš laiką paliesti aktyvios pavaros jutiklį. Kartu išjungiamas ir visas prietaisas. Kad toliau veiktų, vėl reikia nustatyti atitinkamą pavara. Gartraukio išjungimo atidėjimo funkcija neišjungia šviesos.

NAUDOJIMAS

Gartraukio valdymas

Gartraukio valdymo skydas parodytas 4 piešinyje, priminti pateikiamas ir toliau:



Valdymo skydas

Jame yra jutiklių skydas. Norint paleisti pasirinktą funkciją, paliesti vieną iš šių laukelių:

- 1- Vienu lygiu sumažina variklio greitį
- 2- Vienu lygiu padidina variklio greitį
- 3- Pasirinktą greitį rodantis ekranėlis. Gartraukyje yra 3 arba 4 pavaros (atsižvelgiant į modelį.
- 4- Gartraukio išjungimo vėlinimo funkcija (Laikmatis)
- 5- Apšvietimo įjungimas arba išjungimas. Apšvietimas veikia nepriklausomai nuo gartraukio variklio.

Galimos nustatyti pavaros;

- Žemiausia pavana (1). Ši pavara naudojama, kai garų yra nedaug.
- Vidutinės pavaros (2 ir 3*). Šios pavaros naudojamos, kai garų yra vidutiniškai, pvz., vienu metu gaminant kelis patiekalus.
- Aukščiausia pavana (4*). Ši pavara naudojama, kai garų yra daugiausia, pvz., kepat.

* Priklausomai nuo modelio

Laikmatis (vėlesnis gartraukio variklio išjungimas)

Ši funkcija naudojama vėliau išjungti gartraukio variklį. Funkcija naudojama baigus gaminti, kad iš patalpos oro pašalintų garus. Ilgiausia vėlinimo trukmė – 90 minučių. Šiai funkcijai paleisti, kai gartraukis veikia kuria nors pavara, paliesti jutiklį . Ekranėlyje ima mirgėti skaitmuo . Paskiau jutikliais + ir - pasirinkti išjungimo vėlinimo trukmę nuo 1 iki 9 (vienas lygis lygus 10 minučių, pvz., pasirinkus 2, vėlinimas yra 20 min., pasirinkus 5 – 50 min. ir t. t.). Dar kartą paliesti jutiklį funkcijai aktyvinti. Apie taisyklingai nustatytą išjungimo vėlinimo funkciją praneša mirgantis taškas šalia skaitmens ekranėlyje. Vėlinimo funkcijai išjungti paliesti jutiklį . Paskiau jutikliu - sumažinti vėlinimo trukmę iki nulio. Gartraukio išjungimo vėlinimo atšaukimą patvirtinti jutikliu . Gartraukio išjungimo vėlinimo funkcija neišjungia apšvietimo.

Kita svarbi informacija apie gartraukio naudojimą

Veikimas sugeriamuoju režimu: Šiuo režimu filtruotas atgal gražinamas į patalpą per tam pritaikytas angas. Esant tokiems nustatymams, būtina sumontuoti anglinį filtrą ir rekomenduojama sumontuoti oro pūtimo kreiptuvą (prieinamumas atsižvelgiant į modelį, dažniausia kamino tipo gartraukiams).

Veikimas ištraukiamuoju režimu: Gartraukiui veikiant ištraukiamuoju režimu oras šalinamas laukan specialiu vamzdžiu. Šios parinktės atveju būtina išimti anglinį filtrą. Gartraukis turi būti prijungtas prie oro šalinimo laukan angos kietu ar lanksčiu vamzdžiu, kurio skersmuo 150 mm arba 120 mm, ir atitinkamais vamzdžio gnybtais, kurių galima įsigyti tvirtinimo detalių parduotuvėse. Prijungimo darbus turėtų atlikti kvalifikuotas darbuotojas.

Ventiliatoriaus greitis: Mažiausias ir vidutinis greičiai naudojami įprastinėmis sąlygomis ir esant nedidelei garų koncentracijai. Didžiausias greitis naudojamas tik esant didelei garų koncentracijai, pvz., kepant ar troškinant.

Dėmesio (taikoma tik universaliems gartraukiams): Dėl universalių gartraukių konstrukcijos gartraukio veikimo režimas keičiamas rankiniu būdu. Veikimo režimo keitimo būdas pateikiamas 8 piešinyje.

Dėmesio (taikoma tik baldų tipo ir teleskopiniams gartraukiams): Sugeriamuoju režimu veikiantiems baldų tipo ir teleskopiniams gartraukiams būtina įrengti oro šalinimo vamzdį. Antrą vamzdžio galą nukreipti į patalpą; šiuo vamzdžiu pučiamas filtruotas oras.

Dėmesio: Kabinamieji gartraukiai veikia tik sugeriamuoju režimu.

VALYMAS IR PRIEŽIŪRA

Priežiūra

Reguliari prietaiso priežiūra ir valymas užtikrina gerą ir netrikdomą gartraukio darbą bei pailgina jo naudojimo trukmę. Būtina ypač atkreipti dėmesį, kad riebalų filtras ir filtras su aktyvinta anglimi būtų valomi ir keičiami pagal gamintojo nurodymus.

- Nenaudoti sudrėkintų skudurėlių ar kempinių arba vandens srovės.
- Nenaudoti tirpiklių ar alkoholio, nes gali lakuotą paviršių padaryti matinį.
- Nenaudoti ėsdinančių medžiagų, ypač nerūdijančio plieno paviršiams valyti.
- Nenaudoti kietų, šiurkščių skudurėlių.
- Rekomenduojama naudoti drėgną skudurėlį ir neutralius valiklius.

Dėmesio: Kelis kartus išplovus indaplovėje gali pakisti aliuminio filtro spalva. Pakitusi spalva nerodo trūkumų ir būtinybės keisti filtrą.

Riebalų filtras

Kai gartraukis naudojamas įprastiniu režimu, aliumininį riebalų filtrą reikėtų valyti kas mėnesį indaplovėje arba rankomis švelniu plovikliu arba skystuoju muilu.

Kaip išmontuoti aliumininį riebalų filtrą parodyta 5 piešinyje.

Kai kuriuose modeliuose naudojamas akrilinis filtras. Jį būtina keisti bent kartą per 2 mėnesius arba dažniau, jeigu dažnai naudojamas.

Anglinis filtras

Anglinis filtras naudojamas tik tada, kai gartraukis neprijungtas prie vėdinimo vamzdžio. Filtras su aktyvinta anglimi sugeria kvapus iki visiškai prisotina. Filtras yra netinkamas plauti ir regeneruoti, todėl turėtų būti keičiamas kartą per 2 mėnesius arba dažniau, jeigu ypač intensyviai naudojamas.

Kaip išmontuoti anglinį filtrą parodyta 6 piešinyje.

Apšvietimas

Naudoti lemputes / halogenus / diodų modulius, kurių parametrai yra tokie patys, kaip ir gamykloje sumontuotų. Kaip išmontuoti apšvietimą parodyta 7 piešinyje. Jeigu instrukcijoje nėra piešinio, apšvietimo modulį gali pakeisti tik įgaliotasis servisas.

GARANTIJA, PRIEŽIŪRA PO PARDAVIMO

Garantija

Garantinės paslaugos pagal garantijos lapą Gamintojas neatsako už jokią žalą, atsiradusią dėl gaminio netinkamo naudojimo.



Įrangos gamintojas pataria visus remonto ir reguliavimo darbus atlikti gamintojo servise arba įgaliotajame servise. Remonto darbus turėtų atlikti tik tinkamą kvalifikaciją turintis asmuo.


Gamintojo deklaracija

Gamintojas deklaruoja, kad šis gaminytis atitinka pagrindinius toliau išvardytų Europos direktyvų reikalavimus:

- Žemosios įtampos direktyvos 2014/35/EB
- elektromagnetinio suderinamumo direktyvos 2014/30/EB
- ekologinio projektavimo direktyvos 2009/125/EB
- direktyvos RoHS 2011/65/EB

todėl gaminytis ženklinaamas **CE** ženklu ir jam išduota atitikties deklaracija, pateikiama rinkos priežiūros įstaigoms.

Godājamais pircēj,

No šodienas ikdienas pienākumu kļūs vieglāki nekā jebkad agrāk. Šī ierīce  **Hansa** Haushaltsgeräte sevī apvieno izmantošanas vieglumu un lielisku efektivitāti. Pēc iepazīšanās ar instrukciju, ierīces izmantošana vairs nesagādās problēmas.

Pirms iepakojšanas, rūpnīcā tikusi rūpīgi pārbaudīta ierīces drošība un funkcionalitāte darba vietā.

Lūdzu, pirms ierīces ieslēgšanas, rūpīgi izlasiet lietošanas instrukciju. Drošības instrukcijas norādījumu ievērošana pasargās Jūs no nevēlamām ierīces lietošanas sekām. Lietošanas instrukcija ir jāsauglabā un jāuzglabā tā, lai tā vienmēr būtu pa rokai.

**Rūpīgi ievērojiet drošības instrukcijas norādījumus,
lai izvairītos no negadījumiem.**

Ar cieņu,

 **Hansa**
Haushaltsgeräte

DROŠĪBAS NORĀDĪJUMI

- Tvaika nosūcēju izmantojiet tikai pēc lietošanas instrukcijas izlasīšanas
- Iekārta ir paredzēta izmantošanai mājsaimniecībā.
- Ražotājs patur tiesības veikt izmaiņas, kas neietekmē iekārtas darbību.
- Ražotājs nenes atbildību par bojājumiem, kas ir radušies nepareizas ierīces lietošanas rezultātā, neievērojot šīs instrukcijas norādījumus.
- Tvaika nosūcējs ir paredzēts virtuves tvaiku nosūkšanai. Tvaika nosūcējs nav paredzēts izmantošanai citiem nolūkiem.
- Tvaika nosūcējs darbojas uzsūkšanas režīmā un to ir jāpieslēdz atbilstošam ventilācijas kanālam (nedrīkst savienot ar ekspluatācijā esošajiem skursteņa kanāliem, dūmvadiem vai izplūdeš gāzes kanāliem). Tvaika nosūcējam nepieciešams gaisa izvades cauruļvads. Vada garums (visbiežāk Ø 120 mm vai 150 mm caurule) nedrīkst būt lielāks par 4-5 m. Gaisa novadīšanas vads ir nepieciešams arī teleskopiskajiem un iebūvējamiem tvaika nosūcējiem absorbēšanas režīmā.
- Tvaika nosūcējam, kas darbojas uzsūkšanas režīmā, nepieciešams aktīvās ogles filtrs. Tādā gadījumā nav nepieciešams uzstādīt gaisa izvades cauruļvadu, bet ieteicama gaisa izvades stūres montāža (tikai skursteņa tvaika nosūcēji).
- Tvaika nosūcējs ir aprīkots ar neatkarīgu apgaismojumu un izplūdes ventilatoru ar iespēju iestātīt vienu no vairākiem apgrieziena ātrumiem.
- Atkarībā no iekārtas versijas, tvaika nosūcējs ir paredzēts montāžai pie vertikālas sienas virs gāzes vai elektriskās plīts (skursteņa un universālie nosūcēji); pie griestiem virs gāzes vai elektriskās plīts (virtuves salas tvaika nosūcēji); pie vertikālas sienas iebūvējamās virtuves mēbelēs virs

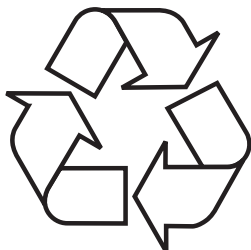
gāzes vai elektriskās plīts (teleskopiskie un iebūvējamie tvaiku nosūcēji). Pirms montāžas ieteicams pārlicināties vai sienas/griestu konstrukcija ir piemērota tvaika nosūcēja noturēšanai. Daži no tvaika nosūcēja modeļiem ir ļoti smagi.

- Ierīces montāžas augstums virs elektriskās plīts ir norādīts produkta kartē (ierīces tehniskā specifikācija). Ja gāzes ierīču instalēšanas instrukcijā ir norādīts lielāks attālums, tas ir jāņem vērā (1 zīm.).
- Zem tvaika nosūcēja nedrīkst atstāt atklātu liesmu. Trauka noņemšanas laikā no degļa, iestatiet minimālo liesmu. Vienmēr pārbaudiet vai liesma neapņēm trauka malas, jo tas var izraisīt nevēlamu enerģijas zudumu un nedrošu siltuma koncentrāciju.
- Taukos pagatavotos ēdienus ieteicams pastāvīgi uzraudzīt, jo pārkaršuši tauki var strauji aizdegties.
- Pirms katras filtra tīrīšanas, nomainīšanas vai ļaibošanas, ieteicams atvienot ierīces kontaktdakšu no strāvas padeves kontaktligzdas.
- Ierīces prettauku filtrs ir jātīra vismaz reizi mēnesī, jo uzsūkušies tauki var viegli uzliesmot.
- Ja neskaitot tvaiku nosūcēju, telpā tiek izmantotas neelektriskās ierīces (piemēram, šķidrā kurināmā plītis, plūsmas sildītāji, siltuma vannas), jāparūpējas par pietiekamu ventilāciju (gaisa pieplūdi). Droša ekspluatācija iespējama, ja vienlaicīgi ar tvaika nosūcēja un sadedzināšanas iekārtu darbu, kas atkarīgas no gaisa līmeņa telpā, šo iekārtu novietošanas vietā valdītu forvakuums ne lielāks kā 0,004 milibāri (šis punkts nav saistošs, ja tvaiku nosūcējs tiek izmantots kā smaržu uzsūcējs).
- Tvaika nosūcēju nevajadzētu izmantot kā atbalsta punktu cilvēkiem, kas atrodas virtuvē.
- Tvaika nosūcēju nepieciešams regulāri tīrīt gan no iekšpuses, gan ārpuses (VISMĀZ REIZI MĒNESI, ievērojot lietošanas instrukcijā norādītos apkopes norādījumus). Neievērojot iekārtas tīrīšanas un filtru nomaiņas norādījumus, var rasties

ugunsgrēka draudi.

- Ja strāvas vads ir ticis bojāts, to ir jānomaina specializētā remonta darbnīcā.
- Jānodrošina ierīces atvienošanas iespēja no strāvas padeves tīkla, izņemot spraudni vai bipolāro slēdzi.
- Sī iekārta nav paredzēta lietošanai maziem bērniem, personām ar fiziskiem vai garīgiem traucējumiem, personām ar taustes mājūtīgumu, personām ar pieredzes vai zināšanu trūkumu ierīces lietošanas jomā, ja vien tā nenotiek saskaņā ar lietošanas instrukciju vai drošības pasākumus pārzinošas personas uzraudzībā.
- Jāpievērš īpaša uzmanība tam, lai iekārtu neizmantotu bez uzraudzības atstāti bērni.
- Pārbaudiet, vai zemējuma tabulā norādītais strāvas spriegums atbilst vietējiem strāvas tīkla parametriem.
- Pirms montāžas attiniet un iztaisnojiet strāvas padeves vadu.
- Iepakojuma materiālus (polietilēna maisiņi, putplastas gabaliņi, utt.) izsaiņošanas laikā, lūdzu, uzglabāt atstātus no bērniem.
- Pirms tvaika nosūcēja pieslēgšanas strāvas tīklam nepieciešams pārbaudīt, vai barošanas vads ir pareizi instalēts un iekārta to NAV saspiedusi montāžas darbu laikā. Nepieslēdziet ierīci elektrības padeves tīklam pirms montāžas beigām.
- Aizliegts izmantot tvaika nosūcēju bez uzstādītiem alumīnija prettauku filtriem.
- Kategoriski aizliegts zem tvaika nosūcēja gatavot ēdienu, izmantojot atklātu liesmu (Flambē).
- Nepieciešamības gadījumā pielietot tehniskos un drošības līdzekļus attiecībā uz izplūdes gāzu novadīšanu, stingri jāievēro vietējo varas iestāžu izdotie noteikumi.
- Skrūvju un montāžas elementu nepieskrūvēšana kā tas norādīts lietošanas instrukcijā, var radīt draudus cilvēka veselībai.
- Piekarināmie tvaika nosūcēji darbojas vienīgi aromāta absorbēšanas režīmā.

IZSAIŅOŠANA



Transportēšanas laikā ierīce ir nodrošināta pret bojājumiem. Pēc izsaiņošanas, lūdzam, atbrīvoties no iepakojuma materiāliem, nepiesārņojot apkārtējo vidi.

Visi iepakojuma laikā izmantotie materiāli ir apkārtējai videi nekaitīgi, 100% nododami pārstrādei un marķēti ar nepieciešamajiem simboliem.

Uzmanību! Iepakojuma materiālus (poliētilēna maišiņi, putuplasta gabaliņi, utt.) izsaiņošanas laikā, lūdzu, uzglabāt atstātus no bērniem.

NOLIETOTO IERĪČU UTILIZĀCIJA



Ierīce ir marķēta ar Eiropas Savienības direktīvu 2012/19/EK un Polijas likumu par nolietotajām elektriskajām un elektroniskajām iekārtām - pārsvītrots atkritumu konteineru simbols. Šāds simbols uz produkta vai tā iepakojuma norāda, ka šo produktu nedrīkst izmest saimniecības atkritumos.

Lietotājs ir atbildīgs par iekārtu nodošanu attiecīgos elektrisko un elektronisko iekārtu savākšanas punktos pārstrādāšanai vai personai, kas ir atbildīga par šādu iekārtu savākšanu. Iekārtu savācēji, tāi skaitā vietējie savākšanas punkti, veikāli un pašvaldību vienības, veido atbilstošu sistēmu šādu iekārtu nodošanai.

Nodrošinot pareizu atbrīvošanos no šī produkta, jūs palīdzēsiet izvairīties no potenciālām negatīvām sekām apkārtējai videi un cilvēka veselībai, kurās iespējams izraisīt, nepareizi izmetot atkritumos šo produktu.

APKALPE

Tvaika nosūcēja vadība


Tvaika nosūcēja vadības panelis ir parādīts 4. zīmējumā vai skat. zemāk:



Vadības panelis ir aprīkots ar taustiņiem (izostat).

Lai ieslēgtu tvaika nosūcēju, izvēlieties vienu no zemāk aprakstītajiem ātruma režīmiem, nospiežot atbilstošu taustiņu:

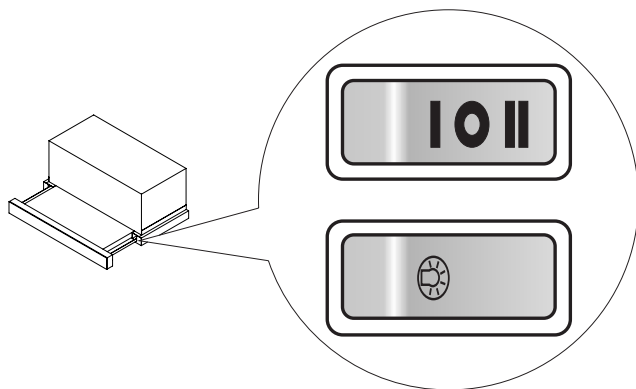
- 1- Mazs ātrums. Šis ātrums tiek izmantots, ja tvaika daudzums ir neliels.
- 2- Vidējs ātrums. Šis ātrums tiek izmantots, ja tvaika daudzums ir vidējs, piemēram, gatavojot vairākus ēdienus vienlaicīgi.
- 3- Liels ātrums. Šis ātrums tiek izmantots, ja tvaika daudzums ir liels, piemēram, cepšanas vai grilēšanas laikā.
- 4- Izslēdz tvaika nosūcēju

Ar  atzīmētais taustiņš paredzēts apgaismojuma ieslēgšanai vai izslēgšanai. Apgaismojums darbojas neatkarīgi no motora ātruma režīma.

APKALPE

Tvaika nosūcēja vadība

Tvaika nosūcēja vadības panelis ir parādīts 4. zīmējumā vai skat. zemāk:




Vadības panelis ir aprīkots ar taustiņiem (slēdžiem). Tie kļūst redzami pēc teleskopiskā priekšējā panela izbīdīšanas.

Teleskopiskais tvaika nosūcējs ir aprīkots ar galaslēdzi. Katru reizi, kad izvilkšiet teleskopisko priekšējo paneli, tvaika nosūcējs ieslēgsies iepriekš iestatītajā darba ātrumā.

Iespējamie darba ātruma režīmi (ar iebīdītu teleskopisko priekšējo paneli):

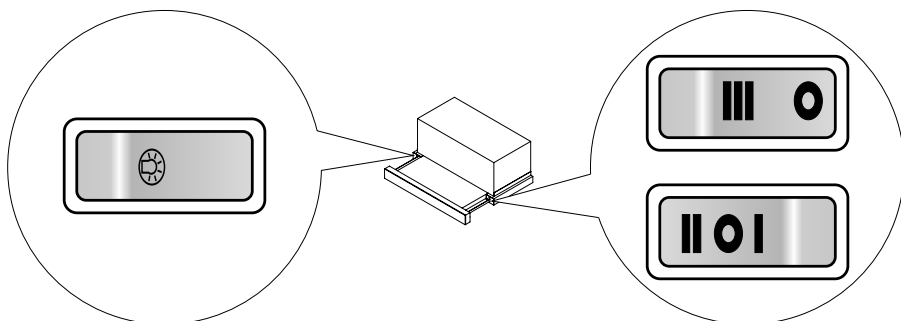
- I- Mazs ātrums. Šis ātrums tiek izmantots, ja tvaika daudzums ir neliels.
- II- Liels ātrums. Šis ātrums tiek izmantots, ja tvaika daudzums ir liels, piemēram, cepšanas vai grilēšanas laikā.
- Izslēgts tvaika nosūcējs (priekšējā panela izbīdīšana neieslēdz tvaika nosūcēja motoru).

Ar  atzīmētais taustiņš paredzēts apgaismojuma ieslēgšanai vai izslēgšanai. Tvaika nosūcēja apgaismojums darbojas neatkarīgi no tvaika nosūcēja motora. Galaslēdzis izslēdz gaismas brīdī, kad priekšējais panelis tiek iebīdīts.

APKALPE

Tvaika nosūcēja vadība

Tvaika nosūcēja vadības panelis ir parādīts 4. zīmējumā vai skat. zemāk:




Vadības panelis ir aprīkots ar taustiņiem (slēdžiem). Tie kļūst redzami pēc teleskopiskā priekšējā panela izbīdīšanas.

Teleskopiskais tvaika nosūcējs ir aprīkots ar galaslēdži. Katru reizi, kad izvilksiet teleskopisko priekšējo paneli, tvaika nosūcējs ieslēgsies iepriekš iestatītajā darba ātrumā.

Iespējamie darba ātruma režīmi (ar iebīdītu teleskopisko priekšējo paneli):

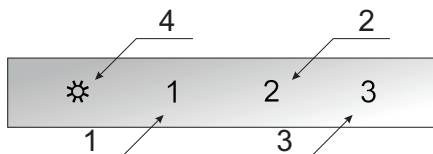
- I- Mazs ātrums. Šis ātrums tiek izmantots, ja tvaika daudzums ir neliels.
- II- Vidējs ātrums. Šis ātrums tiek izmantots, ja tvaika daudzums ir vidējs, piemēram, gatavojot vairākus ēdienus vienlaicīgi.
- III- Liels ātrums. Šis ātrums tiek izmantots, ja tvaika daudzums ir liels, piemēram, cepšanas vai grilēšanas laikā.
- Izslēgts tvaika nosūcējs (priekšējā panela izbīdīšana neieslēdz tvaika nosūcēja motoru).

Ar  atzīmētais taustiņš paredzēts apgaismojuma ieslēgšanai vai izslēgšanai. Tvaika nosūcēja apgaismojums darbojas neatkarīgi no tvaika nosūcēja motora. Galaslēdzis izslēdz gaismas brīdī, kad priekšējais panelis tiek iebīdīts.

APKALPE

Tvaika nosūcēja vadība

Tvaika nosūcēja vadības panelis ir parādīts 4. zīmējumā vai skat. zemāk:



Vadības panelis

Tvaika nosūcējs ir aprīkots ar vadības paneli. Lai ieslēgtu izvēlēto funkciju, nospiediet vienu no sekojošiem laukiem:

- 1 Vismazākais ātrums (1). Šis ātrums tiek izmantots, ja tvaika daudzums ir neliels.
- 2 Vidējie ātrumi (2). Šis ātrums tiek izmantots, ja tvaika daudzums ir vidējs, piemēram, gatavojot vairākus ēdienus vienlaicīgi.
- 3 Vislielākais ātrums (3). Šis ātrums tiek izmantots, ja tvaika daudzums ir liels, piemēram, cepšanas vai grilēšanas laikā.
- 4 Apgaismojuma ieslēgšana vai izslēgšana. Apgaismojums darbojas neatkarīgi no tvaika nosūcēja motora.

Lai izslēgtu tvaika nosūcēju, nospiediet aktīvā lauka sensoru.

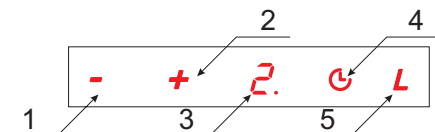
Taimeris (aizkavētā izslēgšanās)

Šī funkcija ir paredzēta aizkavētai tvaika nosūcēja motora izslēgšanai. Izmantojiet šo funkciju pēc gatavošanas beigām, lai attīrītu gaisu telpā no tvaikiem. Aizkavētās izslēgšanās laiks aptuveni 15 minūtes. Lai ieslēgtu aizkavētās izslēgšanās funkciju, tvaika nosūcēja darba laikā jebkurā ātrumā, nospiediet sensoru ar aktīvo ātrumu un turiet nospiešot minimums 3 sekundes. Sensors sāks mirgot. Mirgošana signalizē par pareiziem aizkavētās izslēgšanās funkcijas iestatījumiem. Lai izslēgtu aizkavētās izslēgšanās funkciju ātrāk, nospiediet sensoru, kas ir atbildīgs par aktīvo ātrumu. Nospiežot sensoru, ierīce tiek izslēgta. Ja vēlaties, lai ierīce turpinātu darboties, iestatiet nepieciešamo ātrumu. Aizkavētās izslēgšanās funkcija neizslēdz ierīces apgaismojumu.

APKALPE

Tvaika nosūcēja vadība

Tvaika nosūcēja vadības panelis ir parādīts 4. zīmējumā vai skat. zemāk:



Vadības panelis

Tvaika nosūcējs ir aprīkots ar vadības paneli. Lai ieslēgtu izvēlēto funkciju, nospiediet vienu no sekojošiem laukiem:

- 1- Samazina motora ātrumu par vienu līmeni
- 2- Palielina motora ātrumu par vienu līmeni
- 3- Displejā parādās izvēlētais ātrums. Tvaika nosūcējs ir aprīkots ar 3 vai 4 ātrumiem (atkarībā no modeļa).
- 4- Tvaika nosūcēja aizkavētās izslēgšanās funkcija (Taimeris)
- 5- Apgaismojuma ieslēgšana vai izslēgšana. Apgaismojums darbojas neatkarīgi no tvaika nosūcēja motora.

Iespējamie iestatīšanas ātrumi:

- Vismazākais ātrums (1). Šis ātrums tiek izmantots, ja tvaika daudzums ir neliels.
- Vidējie ātrumi (2 un 3*). Šis ātrums tiek izmantots, ja tvaika daudzums ir vidējs, piemēram, gatavojot vairākus ēdienus vienlaicīgi.
- Vislielākais ātrums (4*). Šis ātrums tiek izmantots, ja tvaika daudzums ir liels, piemēram, cepšanas vai grilēšanas laikā.

* Atkarībā no modeļa

Taimeris (tvaika nosūcēja motora aizkavētā izslēgšanās)

Šī funkcija ir paredzēta aizkavētai tvaika nosūcēja izslēgšanai. Izmantojiet šo funkciju pēc gatavošanas beigām, lai attīrītu gaisu telpā no tvaikiem. Maksimālais aizkavētās izslēgšanās laiks ir 90 minūtes. Lai ieslēgtu šo funkciju, tvaika nosūcēja darba laikā, jebkurā no ātrumiem, nospiediet sensoru . Displejā sāks mirgot cipars . Pēc tam ar sensoriem un izvēlieties aizkavētās izslēgšanās laiku diapazonā no 1 līdz 9 (katrs līmenis dod papildu 10 minūtes, piemēram, izvēloties ciparu 2, aizkavētās izslēgšanās laiks ir 20 min, izvēloties ciparu 5, aizkavētās izslēgšanās laiks ir 50 min u.tml.). Atkārtoti nospiediet sensoru , lai aktivizētu funkciju. Par pareizi iestatītu aizkavētās izslēgšanās laiku signalizē mirgojošs punktiņš displejā līdzās ciparam. Lai ātrāk izslēgtu aizkavētās izslēgšanās funkciju, nospiediet sensoru . Pēc tam ar sensoru samaziniet aizkavētās izslēgšanās laiku līdz nullei. Apstipriniet aizkavētās izslēgšanās laika anulēšanu ar sensoru . Aizkavētās izslēgšanās funkcija neizslēdz tvaika nosūcēja apgaismojumu.

Cita svarīga informācija par tvaika nosūcēja lietošanu

Darbojas kā absorbētājs: Šajā darba režīmā izfiltrētais gaiss atgriežas atpakaļ telpā caur šim procesam pielāgotām atverēm. Šim iestatījumam nepieciešams uzstādīt ogles filtru un ieteicams uzstādīt gaisa izplūdes vadību (pieejams atkarībā no modeļa, galvenokārt, skursteņa tipa tvaika nosūcējiem).

Darbojas kā nosūcējs: Nosūces darba režīma laikā gaiss tiek izvadīts ārpusē pa speciālu cauruļvadu. Šī iestatījuma laikā jāizņem ogļu filtrs. Tvaika nosūcējs ir savienots ar gaisa izvades atvēri, izmantojot nekustīgu vai elastīgu cauruli 150 mm vai 120 mm diametrā un atbilstošas cauruļu skavas, kas jāiegādājas instalācijas materiālu veikalos. Pieslēgšanas darbus ieteicams uzticēt kvalificētam instalāciju meistaram.

Ventilatora ātrums: Mazāko un vidējo ātrumu piemēro parastos darba apstākļos un neliela tvaiku daudzuma gadījumā, bet vislielāko ātrumu drīkst lietot tikai lielas virtuves tvaiku koncentrācijas gadījumā, piem., cepšanas vai grilēšanas laikā.

Uzmanību (attiecas tikai uz universālo tvaika nosūcēju modeli): Univer sālai tvaika nosūcēja konstrukcijai nepieciešama manuāla darba režīma maiņa. Šī režīma maiņa parādīta 8. attēlā.

Uzmanību (attiecas tikai uz iebūvējamiem un teleskopiskiem tvaika nosūcēju modeļiem): Iebūvējamo mēbeļu un teleskopiskajiem tvaika nosūcējiem, kas darbojas absorbēšanas režīmā, nepieciešama gaisa izvades caurules montāža. Otrs caurules gals, caur kuru tiks izvadīts izfiltrētais gaiss, ir jāvērs virzienā.

Uzmanību: Pie sienas stiprināmie tvaika nosūcēji darbojas tikai absorbēšanas režīmā.

TĪRĪŠANA UN KOPŠANA

Uzturēšana

Regulāra ierīces tīrīšana un uzturēšana nodrošina pareizu tvaika nosūcēja darbu un pagarina tā ekspluatācijas laiku. Jāpievērš īpaša uzmanība, lai prettauku filtrs un filtrs ar aktīvo ogli tiktu regulāri tīrīti un mainīti, atbilstoši ražotāja ieteikumiem.

- Neizmantojiet samitrinātu drāniņu vai sūklīti, nevis ūdens strūklu.
- Neizmantojiet šķīdinātājus vai alkoholu, jo tas var izraisīt lakoto virsmu matēšanu.
- Neizmantojiet abrazīvus līdzekļus, kas piemēroti nerūsējoša tērauda virsmām.
- Neizmantojiet cietu un raupju drāniņu.
- Ieteicams izmantot mitru drāniņu un tīrīšanas līdzekļus.

Uzmanību: Pēc vairākām mazgāšanas reizēm trauku mazgājamā mašīnā, alumīnija filtra krāsa var mainīties. Krāsas maiņa nenozīmē nepareizu filtra darbību un nav nepieciešams to nomainīt pret jaunu.

Prettauku filtrs

Alumīnija prettauku filtru ieteicams tīrīt reizi mēnesī pie normāla nosūcēja darba režīma vai nu trauku mazgājamā mašīnā vai ar rokām, izmantojot maigus tīrīšanas līdzekļus vai šķidrās ziepes.

Alumīnija prettauku filtra demontāža ir parādīta 5. zīm.

Dažos modeļos ir izmantots akrila filtrs. Filtru ieteicams mainīt vismaz reizi 2 mēnešos vai biežāk intensīvas izmantošanas gadījumā.

Ogles filtrs

Ogļu filtrs tiek izmantots tikai tādā gadījumā, ja tvaika nosūcējs nav pieslēgts ventilācijas caurulei. Filtrs ar aktīvo ogli absorbē smaržas līdz tas ir pilnībā uzsūcies. Filtrs nav paredzēts mazgāšanai vai reģenerācijai, to ir jānomaina vismaz reizi 2 mēnešos vai biežāk ļoti intensīvas izmantošanas gadījumā.

Ogļu filtra demontāža ir parādīta 6. zīmējumā.

Apgaismojums

Jāizmanto tāda paša parametra spuldzītes / halogēni / diodes moduļi kā rūpnieciski iestatītajās versijās. Apgaismojuma nomaina ir parādīta 7. zīmējumā. Ja zīmējums instrukcijā neparādās, apgaismojuma moduļa nomainu drīkst veikt tikai autorizēts serviss.

GARANTIJAS UN PĒCGARANTIJAS PAKALPOJUMI

Garantija

Garantijas pakalpojumi saskaņā ar garantijas karti. Ražotājs nenes atbildību par bojājumiem, kas radušies nepareizas ierīces lietošanas rezultātā.




Ierīces ražotājs rekomendē remontu un ar ierīci saistītas regulācijas veikt ražotāja vai ražotāja autorizētā servisā. Ierīces remontu drīkst veikt tikai kvalificēta persona.


Ražotāja deklarācija

Ražotājs apliecina, ka izstrādājums atbilst zemāk uzskaitītajām prasībām un Eiropas Savienības izvirzītajām direktīvām:

- **direktīva par zemsprieguma iekārtām 2014/35/EK**
- **elektromagnētiskās atbilstības direktīva 2014/30/EK**
- **ekodizaina prasības 2009/125/EK**
- **direktīva RoHS 2011/65/EK**

izstrādājums ir marķēts ar  zīmi un atbilstības deklarāciju, kas ir pieejama Eiropas tirgu uzraugošajiem orgāniem.

Austatud Kliendid

Alates tänasest on igapäevased koristustööd kergemad kui varem. Seade  **Hansa** Haushaltsgeräte ühendab endas era- ja kordse kasutamiskiiruse suure tõhususega. Pärast kasutusjuhendiga tutvumist ei ole kasutamine Teile probleemiks.

Vabrikust väljunud seadet kontrolliti enne pakkimist selle ohutuse ja funktsionaalsuse seisukohalt.

Palume kasutusjuhend enne seadme kasutamist tähelepanelikult läbi lugeda. Juhendis toodud näpunäidete järgimine aitab Teil vältida seadme ebaõiget kasutamist. Kasutusjuhend tuleb alles hoida ja säilitada kättesaadavas kohas, et seda vajadusel kasutada.

Järgige täpselt kasutusjuhendi instruktsioone, et vältida õnnetusjuhtumeid.

Lugupidamisega



OHUTUSJUHISED

- Õhupuhastit tuleb kasutada alles pärast käesoleva juhendiga tutvumist
- Seade on ette nähtud kasutamiseks ainult kodus majapidamises.
- Tootja jätab endale võimaluse seadme toimimist mitte mõjutavate muudatuste tegemiseks.
- Tootja ei kannu vastutust toote poolt tekitatud võimalike kahjustuste või tulekahjude eest, kui selle põhjuseks oli käesolevas juhendis toodud reeglite eiramine.
- Õhupuhasti on ette nähtud keeduaurude eemaldamiseks. Ärge kasutage seda muul otstarbel.
- Väljatõmberežiimil töötav õhupuhasti tuleb ühendada vastava ventilatsioonikanaliga (mitte ühendada kasutusel olevate korsta-, suitsu- või heitgaaside lõõridega). Õhupuhasti nõuab õhku väljapoole juhtiva toru paigaldamist. Toru pikkus (sagedamini toru Ø 120 mm või 150 mm) ei tohiks ulatuda üle 4-5 m. Õhu väljavoolutoru on vajalik ka teleskoop- ja mööbliiga integreeritud õhupuhastite korral õhuringlusrežiimil töötamisel.
- Õhuringlusrežiimil töötav õhupuhasti nõuab aktiivse söega filtri paigaldamist. Sellisel juhul ei ole vajalik õhku väljapoole juhtiva toru paigaldamine, soovitatav on õhuvoo suunaja paigaldamine (üksnes lõõriga õhupuhastid).
- Õhupuhastil on sõltumatu valgustus ja väljatõmbeventilaator, mis võimaldab kahe töökiiruse valikut.
- Sõltuvalt seadme versioonist on õhupuhasti mõeldud püsivaks paigaldamiseks vertikaalsele seinale gaasi- või elektripliidi kohale (lõõriga ja univer-

saalsed õhupuhastid); laele gaasi- või elektripliidi kohale (rippuvad õhupuhastid); vertikaalsele seinale mööblisse integreerituna gaasi- või elektripliidi kohale (teleskoop- ja integreeritavad õhupuhastid). Enne paigaldamist tuleb kontrollida, kas sein / lae konstruktsioon on vastav õhupuhasti paigalduseks. Mõningad õhupuhastite mudelid on väga rasked.

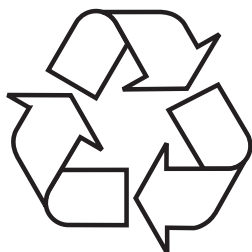
- Seadme paigaldamise kõrgus elektriplaadi kohale on toodud toote kaardil (seadme tehnilises spetsifikatsioonis). Juhul kui gaasiseadmete kasutusjuhendites on toodud suurem kaugus, tuleb montaažil sellega arvestada (Joonis 1).
- Õhupuhasti alla ei tohiks jätta lahtist tuld, juhul kui võtate tulelt nõud, tuleb reguleerida tuli minimaalseks. Alati tuleb kontrollida, et leek ei väljuks nõude põhja alt, kuna see põhjustab soovimatut energiakulu ja ohtlikku soojuse kontsentratsiooni.
- Rasvainetel valmistatavaid toite tuleks pidevalt jälgida, kuna ülekuumenenud rasv võib kergesti süttida.
- Enne igakordset puhastamist, filtri vahetamist või remonditööde alustamist tuleb seadme pistik võrgupesast välja võtta.
- Õhupuhasti rasvafiltrit tuleb puhastada vähemasti 1 kord kuus, kuna rasvast läbi imbunud filter on kergesti süttiv.
- Juhul, kui samas ruumis kasutatakse peale õhupuhasti ka teisi seadmeid, mis ei kasuta elektaritoidet (näit. vedelkütusega ahjud, läbivooluga küttekehad, veesoojendid), tuleb hoolt kanda piisava ventilatsiooni eest (õhu juurdevoolu kindlustamine). Ohutu kasutamine on tagatud juhul, kui õhupuhasti ja ruumis olevast õhust sõltuvate põletavate seadmete kooskasutamisel on nende paigaldamiskohas kindlustatud alarõhk kõige

rohkem 0,004 millibaari (see punkt ei kehti, kui õhupuhastit kasutatakse õhuringlussüsteemis).

- Õhupuhastit ei tohiks kasutada sellele toetumiseks köögis viibivate isikute poolt.
- Õhupuhastit tuleb tihti puhastada nii väljast kui seest (VÄHEMASTI KORD KUUS, pidades kinni käesolevas juhendis toodud hooldusjuhistest). Õhupuhasti puhastamist või filtrite vahetamist puudutavate põhimõtete eiramine võib põhjustada tulekahju ohtu.
- Juhul kui toitejuhe kahjustub, tuleb see välja vahetada spetsiaalses remonditöökohas.
- Kindlustage seadme elektrivõrgust eemaldamise võimalus, pistiku eemaldamise teel võrgukontaktist või kahepooluselise lüliti väljalülitamisega.
- Käesolev seade ei ole ette nähtud kasutamiseks piiratud füüsiliste, tajuhäirete või psüühiliste võimetega isikute (sh ka laste) poolt või seadme kasutamise kogemusteta või tundmiseta isikute poolt, juhul kui see ei toimu järelvalve all või kooskõlas seadme kasutamisjuhendiga, mille on edastanud nende isikute ohutuse eest vastutavad isikud.
- Pöörakeerilist tähelepanu sellele, et seadet ei kasutaks järelvalveta lapsed.
- Veenduge, kas andmesildil toodud pinge vastab lokaalsetele toite parameetritele.
- Enne paigaldamist keerake toitejuhe lahti ja painutage sirgeks.
- Pakkimismaterjalid (polüetüleenkotid, vahtpolüstürooli tükid jms.) tuleb lahtipakkimise ajal hoida lastele kättesaamatus kohas.
- Enne õhupuhasti ühendamist toitevõrku tuleb alati kontrollida, kas toitekaabel on õigesti paigaldatud ega ole väändunud paigaldustööde käigus. Ärge ühendage seadet toitevõrku enne paigaldamise lõppu.

- Keelatud on õhupuhastite kasutamine paigaldamata alumiiniumist rasvafiltritega.
- Õhupuhasti all on rangelt keelatud toitude valmistamine avatud tule kasutamisega (flambeerimine).
- Tehniliste ja ohutusmeetmete rakendamisel, mis on vajalikud heitgaaside väljajuhtimisel, tuleb rangelt järgida kohalike omavalitsuste poolt kehtestatud eeskirju.
- Kruvide või kinnitavate elementide kinnitamata jätmine vastavalt käesolevale kasutusjuhendile võib tekitada ohtu tervisele ja elule.
- Ripuvad õhupuhastid töötavad ainult õhuringlusrežiimil.

LAHTIPAKKIMINE



Seade on transpordi ajaks kaitstud vigastuste eest. Pärast seadme lahti-pakkimist palume pakendi elemendid utiliseerida keskkonda mitte ohustaval viisil.

Kõik pakkimisel kasutatud materjalid on keskkonnasõbralikud, sobivad 100% taaskasutamiseks ja on märke-
gistatud vastava sümboliga.

Tähelepanu! Pakkimismaterjalid (polüetüleenkotid, vahtpolüstürooli tükid jms.) tuleb lahtipakkimise ajal hoida lastele kättesaamatus kohas.

KASUTATUD SEADMETE UTILISEERIMINE



Seade on märgistatud vastavalt EL Direktiivi 2012/19/EU normile ja Poola Vabariigi Kasutatud elektri- ja elektroonikaseadmeid puudutava määrusega läbikriipsutatud prügikonteineri sümboliga. Selline tähistus informeerib, et seda seadet ei tohi pärast kasutamist panna olmejäätmete juurde.

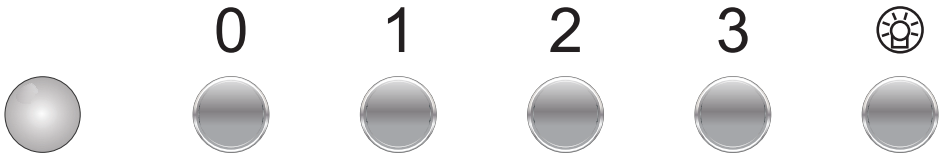
Kasutaja on kohustatud andma seade elektri- ja elektrooniliste seadmete kogumispunkti. Kohalikud elektri- ja elektroonikaseadmete kogumispunktid, kauplused jms. moodustavad toote vastavat utiliseerimist võimaldava süsteemi.

Elektri- ja elektroonikaseadmete õige utiliseerimine aitab vältida inimese tervisele ja looduslikule keskkonnale ohtlikke tagajärgi, mida põhjustavad ohtlike koostiselementide olemasolu ja seadmete ebaõige ladustamine ja töötlemine.

KÄSITSEMINE

Õhupuhasti juhtimine


Õhupuhasti juhtpaneel on toodud joonisel 4, vt ka alljärgnevalt:



Juhtpaneel on varustatud nuppudega (izostat).

Õhupuhasti sisselülitamiseks vali üks järgmistest käikutest, vajutades vastavat nuppu:

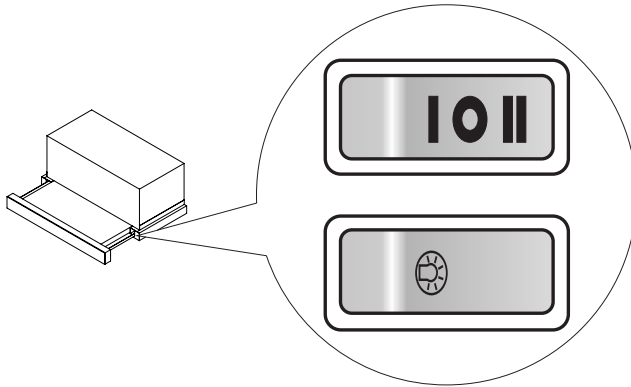
- 1- Madalaim käik. Kasuta seda kiirust juhul, kui auru ei ole väga palju.
- 2- Keskmine kiirus. Kasuta seda kiirust, kui auru on keskmiselt, nt kui keedad mitut toitu korraga.
- 3- Kõrgeim käik. Kasuta seda kiirust, kui auru on vähe, nt praadimise või grillimise ajal.
- 4- Lülita õhupuhasti välja

Nuppu tähistusega  kasutatakse valgustuse sisse- või väljalülitamiseks. Õhupuhasti valgustus töötab sõltumata mootori töötamisest.

KÄSITSEMINE

Õhupuhasti juhtimine


Õhupuhasti juhtpaneel on toodud joonisel 4, vt ka alljärgnevalt:



Juhtpaneel on varustatud nuppudega (hoidikuga). Need on nähtavad pärast teleskooppaneeli eemaldamist. Teleskoopõhupuhasti on varustatud piirlülitiga. Igakordsel teleskooppaneeli eemaldamisel hakkab õhupuhasti tööle etteantud käigul.

Käigu seadistamise võimalus (eemaldatud esipaneeli puhul):

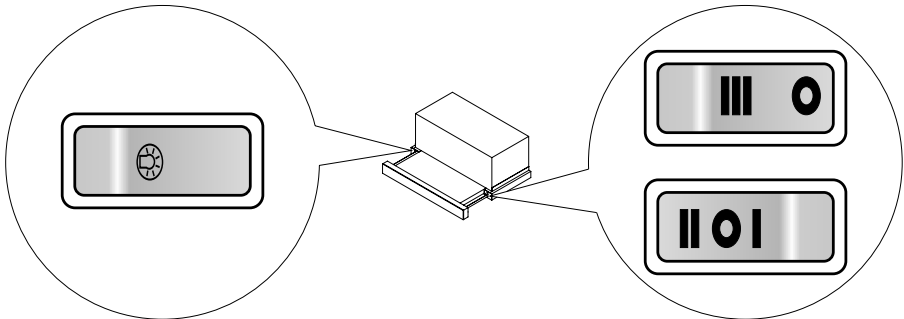
- I- Madalaim käik. Kasuta seda kiirust juhul, kui auru ei ole väga palju.
- II- Kõrgeim käik. Kasuta seda kiirust, kui auru on vähe, nt praadimise või grillimise ajal.
- Õhupuhasti on välja lülitatud (esipaneeli eemaldamine ei põhjusta õhupuhasti mootori käivitamist).

Nuppu tähistusega  kasutatakse valgustuse sisse- või väljalülitamiseks. Õhupuhasti valgustus ei sõltu õhupuhasti mootori tööst. Piirlüliti lülitab valguse välja ka siis, kui eemaldate esipaneeli.

KÄSITSEMINE

Õhupuhasti juhtimine


Õhupuhasti juhtpaneel on toodud joonisel 4, vt ka alljärgnevalt:



Juhtpaneel on varustatud nuppudega (hoidikuga). Need on nähtavad pärast teleskooppaneeli eemaldamist. Teleskoopõhupuhasti on varustatud piirlülitiga. Igakordsel teleskooppaneeli eemaldamisel hakkab õhupuhasti tööle etteantud käigul.

Käigu seadistamise võimalus (eemaldatud esipaneeli puhul):

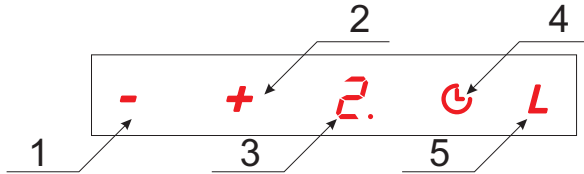
- I- Madalaim käik. Kasuta seda kiirust juhul, kui auru ei ole väga palju.
- II- Keskmine kiirus. Kasuta seda kiirust, kui auru on keskmiselt, nt kui keedad mitut toitu korraga.
- III- Kõrgeim käik. Kasuta seda kiirust, kui auru on vähe, nt praadimise või grillimise ajal.
- Õhupuhasti on välja lülitatud (esipaneeli eemaldamine ei põhjusta õhupuhasti mootori käivitamist).

Nuppu tähistusega  kasutatakse valgustuse sisse- või väljalülitamiseks. Õhupuhasti valgustus ei sõltu õhupuhasti mootori tööst. Piirlüliti lülitab valguse välja ka siis, kui eemaldate esipaneeli.

KÄSITSEMINE

Õhupuhasti juhtimine

Õhupuhasti juhtpaneel on toodud joonisel 4, vt ka alljärgnevalt:



Juhtimispaneel

See on varustatud sensorpaneeliga. Soovitud funktsiooni sisselülitamiseks vajuta ühele alljärgnevatest väljadest:

- 1- Vähendab mootori kiirust ühe astme võrra
- 2- Suurendab mootori kiirust ühe astme võrra
- 3- Displei kuvab valitud kiirust. Õhupuhastil on 3 või 4 kiirust (sõltuvalt mudelist).
- 4- Õhupuhasti hilisem väljalülitamine (Taimer)
- 5- Valguse sisse- või väljalülitamine. Valgustus toimib sõltumata õhupuhasti mootorist.

Võimalikud kiirused:

- Kõige väiksem kiirus (1). Kasuta seda kiirust juhul, kui auru ei ole väga palju.
- Keskmised kiirused (2 ja 3*). Kasuta seda kiirust, kui auru on keskmiselt, nt kui keedad mitut toitu korraga.
- Suurim kiirus (4*). Kasuta seda kiirust, kui auru on vähe, nt praadimise või grillimise ajal.

* Sõltuvalt mudelist

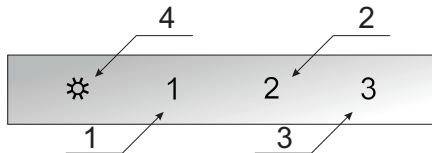
Taimer (õhupuhasti mootori hilisem väljalülitamine)

Seda funktsiooni saab kasutada õhupuhasti mootori hilisemaks väljalülitamiseks. Kasuta seda funktsiooni pärast keetmise lõpetamist, et puhastada ruumi õhk aurudest. Maksimaalne hilisema väljalülitamise aeg on 90 minutit. Selle funktsiooni välja lülitamiseks vajuta õhupuhasti töötamise ajal suvalisel kiirusel sensorile . Displeil hakkab vilkuma sümbol . Seejärel vali sensoritega ja hilisema väljalülitamise aeg vahemikus 1-9 (iga tase lisab 10 minutit, nt kui valida number 2, hilineb väljalülitamine 20 minuti võrra, kui valida number 5, siis 50 minuti võrra jne). Vajuta uuesti sensorile funktsiooni aktiveerimiseks. Hilinemisaja õiget seadistamist signaleerib displeil kuvatud numbri kõrval oleva punkti vilkumine. Hilinemise funktsiooni varasemaks välja lülitamiseks vajuta sensorile . Seejärel vähenda sensoriga hilinemise aega nullini. Kinnita õhupuhasti väljalülitamise hilinemise tühistamist sensoriga . Õhupuhasti väljalülitamise hilinemise funktsioon ei põhjusta valgustuse välja lülitamist.

KÄSITSEMINE

Õhupuhasti juhtimine

Õhupuhasti juhtpaneel on toodud joonisel 4, vt ka alljärgnevalt:



Juhtimispaneel

See on varustatud sensorpaneeliga. Soovitud funktsiooni sisselülitamiseks vajuta ühele alljärgnevatest väljadest:

- 1 Kõige väiksem kiirus (1). Kasuta seda kiirust juhul, kui auru ei ole väga palju.
- 2 Keskmise käik (2). Kasuta seda kiirust, kui auru on keskmiselt, nt kui keedad mitut toitu korraga.
- 3 Suurim kiirus (3). Kasuta seda kiirust, kui auru on vähe, nt praadimise või grillimise ajal.
- 4 Valguse sisse- või väljalülitamine. Valgustus toimib sõltumata õhupuhasti mootorist.

Õhupuhasti väljalülitamiseks puuduta aktiivse välja andurit.

Timer (õhupuhasti väljalülitamise viivitus)

Seda funktsiooni saab kasutada õhupuhasti mootori hilisemaks väljalülitamiseks. Kasuta seda funktsiooni pärast keetmise lõpetamist, et puhastada ruumi õhk aurudest. Hilinemise aeg on umbes 15 minutit. Viivituse funktsiooni sisselülitamiseks õhupuhasti töötamise aegu, mis tahes käigul, puuduta aktiivse käigu andurit vähemalt 3 sekundi jooksul. Sensor hakkab vilkuma. Vilkumine signaliseerib välja lülitamise aja hilisemat korrektset seadistamist. Viivituse funktsiooni varem välja lülitamiseks, puuduta käigu aktiveerimise eest vastutavat andurit. See lülitub ühtlasi seadme välja. Kui tahad selle tööd jätkata, seadista uuesti vastav kiirus. Viivituse funktsiooni väljalülitamine ei põhjusta õhupuhasti valgustuse välja lülitamist.

Muu oluline teave õhupuhasti kasutamise kohta

Õhuringlusrežiim: Selles töövalikus filtreeritud õhk naaseb ruumi selleks kohandatud avade kaudu. Selle seadistusega tuleks paigaldada sõefilter ning soovitatav on paigaldada õhu väljalasketoru (saadavus sõltub mudelist, peamiselt korstnatega õhupuhastitel).

Väljatõmbe režiim: Väljatõmberežiimi aktiveerimisel juhitakse õhk ruumist välja spetsiaalse kanali abil. Selle töörežiimi seadistusel tuleb eemaldada sõefilter. Õhupuhasti on ühendatud õhku väljajuhtiva avaga jäiga või elastse toru abil, mille diameeter on 150 mm või 120 mm ja vajalike toruklambrate abil, mis on võimalik saada paigaldusmaterjalide kauplustest. Õhupuhasti ühendamist peaks teostama kvalifitseeritud paigaldaja.

Ventilaatori kiirus: Kõige madalamat ja keskmist kiirust kasutatakse normaalsetes tingimustes ja madala aurude kontsentratsiooni korral, suurimat kiirust tuleb kasutada aurude suure kontsentratsiooni korral, näit. praadimise või grillimise ajal.

Tähelepanu (puudutab ainult universaalseid õhupuhasteid): Universaalsete õhupuhastite konstruktsioon nõuab õhupuhasti töö käsitsi muutmist. Selle režiimi muutmise viis on illustreeritud joonisel 8.

Tähelepanu (puudutab ainult mööblile paigaldatud ja teleskoopõhupuhasteid): Mööblile paigaldatud ja teleskoopõhupuhastid, mis töötavad õhuringlussüsteemis, nõuavad õhku väljajuhtiva toru paigaldamist. Teine toru ots tuleb suunata ruumi, läbi mille juhitakse välja filtreeritud õhk.

Tähelepanu: Rippuvad õhupuhastid töötavad ainult õhuringlusrežiimil.

PUHASTAMINE JA HOOLDUS

Hooldus

Õhupuhasti regulaarne hooldamine ja puhastamine tagab selle korrapärase ja häireteta töötamise ja pikendab seadme eluiga. Pöörake tähelepanu sellele, et rasvafilter ja aktiisöefilter oleksid puhastatud ja vahetatud vastavalt tootja soovitudele.

- Ärge kasutage märgi lappe või švamme ega voolavat vett.
- Ärge kasutage lahusteid ega alkoholi, kuna need võivad lakitud pealispinna tuhmiks muuta.
- Ärge kasutage soovitavaid ained, eriti roostevabast terasest pindade puhastamiseks.
- Ärge kasutage kõvasid, karedaid lappe
- Soovitav on kasutada niisket lappi ja neutraalseid puhastusvahendeid.

Tähelepanu: Pärast mõnda pesu nõudepesumasinas võib alumiiniumfiltrit värvus muutuda. Värvimuutus ei kujuta endast hälvet ega tähenda, et filter tuleb välja vahetada.

Rasvafilter

Alumiiniumist rasvafiltrit tuleb puhastada iga kuu tagant õhupuhasti normaalse töö korral nõudepesumasinas või käsitsi nõrga pesuvahendiga või vedelseebiga.

Alumiiniumist rasvafiltri lahtivõtmine on toodud joonisel 5.

Mõningates mudelites on kasutatud akrüülfiltrit. Seda tuleb vahetada vähemalt kord 2 kuu kohta või tihedamini väga intensiivse kasutamise korral.

Söefilter

Söefiltrit kasutatakse eranditult sellisel juhul, kui õhupuhasti ei ole ühendatud ventilatsioonikanaliga. Söefiltril on lõhnade imamise võime kuni filtri küllastumiseni. Söefiltrit ei saa pesta ega regenereerida, seega tuleb see välja vahetada vähemasti kord kahe kuu jooksul või tihedamini, kui kasutate õhupuhastit eriti intensiivselt.

Söefiltri lahtivõtmine on näidatud joonisel 6.

Valgustus

Kasutada tuleb samade parameetritega hõõg- / halogeenpirne / diodmooduleid, kui tehases seadmele paigaldatud valgustuse parameetrid. Valgustuse vahetamine on näidatud joonisel 7. Juhul, kui juhendis ei ole joonist, võib valgustuse mooduli vahetamist teostada üksnes volitatud teenindus.

GARANTII, MÜÜGIJÄRGNE HOOLDUS

Garantii

Garantiiteenuseid osutame garantiilehe alusel Tootja ei vastuta toote ebaõigest kasutamisest põhjustatud vigastuste või rikete eest.



Seadme tootja soovib, et kõiki remonte ja reguleerimistöid teostataks Tehase teenindus või tootja volitatatud teenindus. Remonte võib teha üksnes vastava kvalifikatsiooniga isik.

Tootja deklaratsioon

Tootja deklareerib, et käesolev toode on vastavuses järgmiste EL direktiivide normide põhinõuetega:

- madalpingedirektiiviga 2014/35/EÜ
- elektromagnetilise ühilduvuse direktiiviga 2014/30/EÜ
- keskkonnasäästliku disaini direktiividega 2009/125/EÜ
- direktiiviga RoHS 2011/65/EÜ

ja omab seega **CE** märgistust ning tootele on välja antud vastavusdeklaratsioon, mis on turu suhtes järelevalvet teostavate organite käsutuses.

Poštovani Klijenti,

Od danas svakodnevne obaveze će da budu jednostavnije nego ikad. Uređaj  je spoj jednostavne upotrebe i savršene efikasnosti. Posle čitanja instrukcije upotreba uređaja nije nikakav problem.

Oprema koja je izašla iz fabrike je pre pakovanja rigorozno proverena na kontrolnim tačkama sa obzirom na bezbednost i funkcionalnost.

Molimo Vas da pre pokretanja uređaja pažljivo pročitate instrukciju za upotrebu. Pridržavanje pravila iz instrukcije će da Vas zaštiti od nepravilne eksploatacije. Instrukciju sačuvati i čuvati na mestu koje je uvek pri ruci.

Za izbegavanje nesretnih slučajeva pažljivo pročitati instrukciju za upotrebu.

Sa poštovanjem

 **Hansa**
Haushaltsgeräte

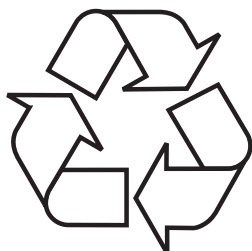
BEZBEDNOSNE NAPOMENE

- Napu koristiti tek posle čitanja ovog uputstva
- Uređaj je namenjen isključivo za kućnu upotrebu.
- Proizvođač pridržava pravo na promene koje ne utiču na rad uređaja.
- Proizvođač ne snosi nikakvu odgovornost za potencijalne štete ili požare na uređaju zbog nepridržavanja preporuka iz ovog uputstva.
- Kuhinjska napa služi za uklanjanje kuhinjskih isparenja. Ne koristiti je u druge svrhe.
- Napu koja radi u usisnom režimu priključiti u odgovarajući kanal za ventilaciju (ne priključivati u dimnjake, kanale za dim ili sagorevanje koji su u upotrebi). Napa zahteva montažu voda za odvod vazduha. Dužina voda (najčešće cev Ø 120 mm ili 150 mm) ne bi trebala da bude veća od 4-5 m. Vod za odvod vazduha je potreban i kod teleskopskih i nameštajnih napa u režimu rada cirkulacionog vazduha.
- Napa koja radi u filter režimu zahteva instalaciju filtera sa aktivnim ugljenom. U tom slučaju nije neophodna montaža cevi za odvod vazduha napolje, preporučena je instalacija vodilice ispuštanja vazduha (samo kaminske nape).
- Napa poseduje nezavisno osvetljenje i usisni ventilator sa mogućnosti podešavanja nekoliko brzina okretaja.
- Zavisno od verzije napa je namenjena za trajnu montažu na okomitom zidu iznad gasne ili električne peći (kaminske ili univerzalne nape); na stropu iznad električne ili gasne peći (ostrvska); na okomitom zidu u nameštaju iznad gasne ili električne peći (teleskopske i ugradne nape). Pre montaže proveriti da li je konstrukcija zida/stropa dovoljno jaka da izdrži napu. Neki modeli kuhinjskih napa su jako teški.

- Visina montaže uređaja iznad električne ploče je navedena u specifikaciji uređaja (u tehničkim podacima). Ako je u uputstvima za instalaciju gasnih uređaja navedena veća udaljenost, uzeti je u obzir (Crt.1).
- Ispod kuhinjske nape ne ostavljati otkriveni plamen, tokom skidanja posuda sa plamenika podesiti minimalni plamen. Uvek proveriti da li plamen ne izlazi ispod posude, jer to uzrokuje nepoželjne gubitke energije i opasnu koncentraciju topline.
- Jela koja su pripremana na masnoći trebamo da stalno nadziremo, jer pregrejana masnoća može da se lako zapali.
- Pre svakog čišćenja, promene filtera ili popravaka izvući utikač iz mrežne utičnice.
- Filter za masnoću za kuhinjsku napu čistiti najmanje jednom mesečno, jer je zapaljiv kad je zasićen masnoćom.
- Ako su u prostoriji osim nape korišteni neki drugi neelektrični uređaji (peći na tečna goriva, radijatori, terme) pobrinuti se za dovoljnu ventilaciju (odvod vazduha). Bezbedna upotreba je moguća kad u slučaju istovremenog rada nape i uređaja za spaljivanje, čiji rad zavisi od vazduha u prostoriji, potpritisak na mestu postavljanja tih uređaja iznosi najviše 0,004 milibara (ova napomena ne obavezuje kad je napa korištena u filter verziji).
- Kuhinjska napa se ne sme da se upotrebljava kao površina za naslanjanje osoba koje se nalaze u kuhinji.
- Napa bi trebala da bude često čišćena kako izvana, tako i iznutra (**NAJMANJE JEDNOM MESECNO**), pridržavajmo se napomena o održavanju navedenih u ovom uputstvu). Nepridržavanje pravila čišćenja nape i promene filtera može da stvori opasnost od požara.
- Ako se kabel za napajanje ošteti, trebali bi da ga promenimo u ovlaštenoj servisnoj tački.

- Obezbediti mogućnost isključivanja uređaja iz električne mreže, izvlačenjem utikača ili isključivanjem dvopolnog prekidača.
- Ovaj uređaj nije namenjen za upotrebu od strane lica (uključujući i decu) sa smanjenim fizičkim, senzornim ili mentalnim sposobnostima ili onih koji nemaju dovoljno znanja i iskustva. U slučaju da dođe do upotrebe ovog uređaja od strane navedenih lica neophodan je nadzor i davanje instrukcija osobe koja je odgovorna za njihovu bezbednost.
- Obratite posebnu pažnju da uređaj ne koriste deca ostavljena bez nadzora.
- Proveriti da li napon naveden na nazivnoj pločici odgovara lokalnim parametrima napajanja.
- Pre montaže razviti i izravnati kabel za napajanje.
- Ambalažne materijale (polietilenske kesice, komadiće stiropora itd.) prilikom uklanjanja ambalaže držati daleko od dece.
- **PAZNJA:** pre uključivanja nape u električnu mrežu uvek proveriti da li je kabel za napajanje pravilno instaliran i da ga napa NIJE prignječila tokom montažnih radnji. Ne uključivati uređaj u električnu mrežu pre završetka montaže.
- Zabranjena je upotreba nape bez namontiranih aluminijumskih filtera za masnoću.
- Strogo se zabranjuje pripremanje hrane na otvorenom plamenu ispod kuhinjske nape. (flambiranje).
- Sto se tiče tehničkih i bezbednosnih mera koje moraju da se provode sa obzirom na izbacivanje dimova, strogo se pridržavajte propisa nadležnih lokalnih vlasti.
- Neinstaliranje vijaka i pričvršnih elemenata u skladu sa ovim uputstvom može da bude opasno po zdravlje i život.
- Viseće nape deluju samo u režimu cirkulacionog vazduha.

UKLANJANJE PAKOVANJA



Uređaj je za vreme transporta zaštićen od oštećenja. Posle vađenja uređaja iz pakovanja molimo Vas da elemente ambalaže uklonite na način koji ne ugrožava prirodnu sredinu.

Svi materijali korišteni za ambalažu nisu štetni za prirodnu okolinu, 100% je moguća reciklaža i označeni su

odgovarajućim simbolom.

Paznja! Ambalažne materijale (polietilenske kesice, komadiće štiropora itd.) prilikom uklanjanja ambalaže držati daleko od dece.

ODLAGANJE ISTROŠENIH UREĐAJA



Ovaj uređaj je označen u skladu sa evropskom direktivom 2012/19/EU i poljskim zakonom o potrošenom električnom i elektronskom otpadu. Ujedno je označen simbolom precrtanog kontejnera za otpatke. Oznaka na proizvodu pokazuje da ovaj proizvod posle njegovog životnog veka ne može da bude biti tretiran kao ostali kućni otpad.

Korisnik ima obavezu da ovaj proizvod preda na odgovarajuće sabirno mesto za reciklažu potrošene električne i elektronske opreme. Institucije za prikupljanje ovakvog otpada, uključujući lokalne sabirne tačke, kupovna mesta, opštinske jedinice, sačinjavaju odgovarajući sistem koji omogućava zbrinjavanje ove opreme.

Pravilno odlaganje potrošene električne i elektronske opreme sprečava potencijalne negativne posledice za okolinu i ljudsko zdravlje koje, inače mogu da budu uzrokovane neodgovarajućim odlaganjem ovog proizvoda.

UPOTREBA

Upravljanje napom

Komandna ploča je predstavljena na crtežu 4, koji opisan i niže:



Komandna ploča je opremljena dugmadima (izostat).

Za uključivanje nape izabрати jednu od niže opisanih brzina pritiskanjem odgovarajućeg dugmeta:

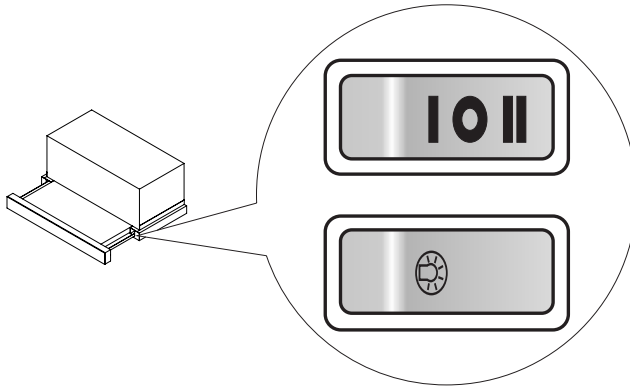
- 1- Najniža brzina. Ovu brzinu koristiti kod manje količine isparavanja.
- 2- Srednja brzina. Ovu brzinu koristiti kod srednje količine isparavanja, na primer tokom istovremenog kuvanja više jela.
- 3- Najviša brzina. Ovu brzinu koristiti kod najveće količine isparavanja, na primer tokom prženja ili roštilja.
- 4- Isključuje napu

Dugme označeno kao  služi za uključivanje ili isključivanje rasvete. Rasveta nape deluje nezavisno od brzine motora.

UPOTREBA

Upravljanje napom

Komandna ploča je predstavljena na crtežu 4, koji opisan i niže:




Komandna ploča je opremljena sa dugmadima (kolevka). Dugmad vidimo kad izvučemo teleskopsku čeonu ploču.

Teleskopska napa je opremljena graničnim prekidačem. Svaki put kad izvučemo teleskopsku čeonu ploču napa počinje da radi u prethodno podešenoj brzini.

Potencijalne brzine (kod izvučene čeonu ploče):

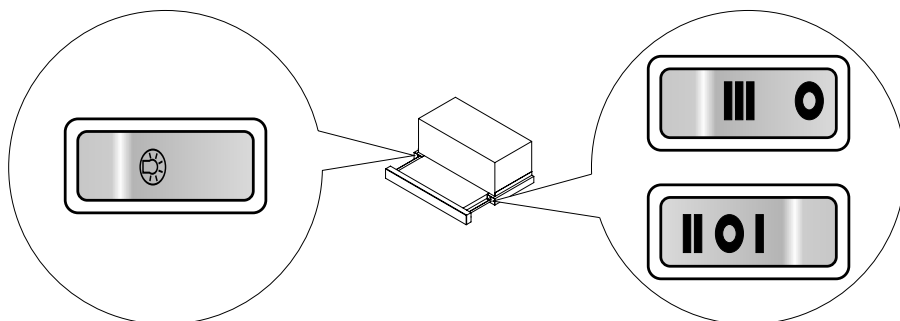
- I- Najniža brzina. Ovu brzinu koristiti kod manje količine isparavanja.
- II- Najviša brzina. Ovu brzinu koristiti kod najveće količine isparavanja, na primer tokom prženja ili roštilja.
- Napa je isključena (izvlačenje ploče ne uzrokuje pokretanje motora nape).

Dugme označeno kao  služi za uključivanje ili isključivanje rasvete. Rasveta nape deluje nezavisno od motora nape. Granični prekidač takođe isključuje svetlo kad uvučemo čeonu ploču.

UPOTREBA

Upravljanje napom


Komandna ploča je predstavljena na crtežu 4, koji opisan i niže:



Komandna ploča je opremljena sa dugmadima (kolevka). Dugmad vidimo kad izvučemo teleskopsku čeonu ploču. Teleskopska napa je opremljena graničnim prekidačem. Svaki put kad izvučemo teleskopsku čeonu ploču napa počinje da radi u prethodno podešenoj brzini.

Potencijalne brzine (kod izvučene čeone ploče):

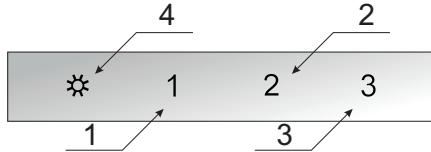
- I- Najniža brzina. Ovu brzinu koristiti kod manje količine isparavanja.
- II- Srednja brzina. Ovu brzinu koristiti kod srednje količine isparavanja, na primer tokom istovremenog kuvanja više jela.
- III- Najviša brzina. Ovu brzinu koristiti kod najveće količine isparavanja, na primer tokom prženja ili roštilja.
- O- Napa je isključena (izvlačenje ploče ne uzrokuje pokretanje motora nape).

Dugme označeno kao  služi za uključivanje ili isključivanje rasvete. Rasveta nape deluje nezavisno od motora nape. Granični prekidač takođe isključuje svetlo kad uvučemo čeonu ploču.

UPOTREBA

Upravljanje napom

Komandna ploča je predstavljena na crtežu 4, koji opisan i niže:



Komandna ploča

Komandna ploča je opremljena sensorima. Za uključivanje izabrane funkcije dodirnuti jedno od nižih polja:

- 1 Najniža brzina (1). Ovu brzinu koristiti kod manje količine isparavanja.
- 2 Srednje brzine (2). Ovu brzinu koristiti kod srednje količine isparavanja, na primer tokom istovremenog kuvanja više jela.
- 3 Najviša brzina (3). Ovu brzinu koristiti kod najveće količine isparavanja, na primer tokom prženja ili roštilja.
- 4 Uključivanje ili isključivanje osvetljenja. Osvetljenje deluje nezavisno od motora nape.

Za isključivanje nape dodirnuti senzor aktivnog polja.

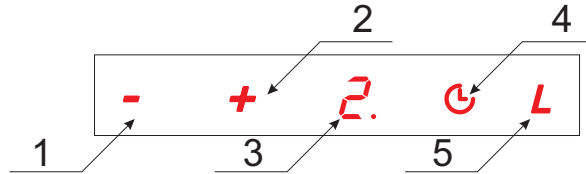
Tajmer (odgođeno isključenje nape)

Ova funkcija služi za odgađanje isključenja motora nape. Ovu funkciju koristiti posle kuvanja, za čišćenje od isparavanja vazduha u prostoriji. Vreme odgode iznosi oko 15 minuta. Za uključivanje ili isključivanje funkcije odgađanja isključenja, tokom rada nape u bilo kojoj brzini, dodirivati senzor sa aktivnom brzinom kroz najmanje 3 sekunde. Senzor počinje da treperi. Treperenje signalizuje pravilno podešeno vreme odgađanja isključenja. Za ranije isključivanje funkcije odgađanja dodirnuti senzor koji odgovara za aktivnu brzinu. To istovremeno isključuje uređaj. Ako želite da uređaj nastavi sa radom ponovo podešite odgovarajuću brzinu. Funkcija odgođenog isključenja nape ne isključuje osvetljenje.

UPOTREBA

Upravljanje napom

Komandna ploča je predstavljena na crtežu 4, koji opisan i niže:



Komandna ploča

Komandna ploča je opremljena sensorima. Za uključivanje izabrane funkcije dodirnuti jedno od nižih polja:

- 1- Smanjuje brzinu motora za nivo niže
- 2- Povećava brzinu motora za nivo više
- 3- Displej pokazuje izabranu brzinu Napa poseduje 3 ili 4 brzine (zavisno od modela).
- 4- Funkcija odgode isključenja nape (Tajmer)
- 5- Uključivanje ili isključivanje osvetljenja. Osvetljenje deluje nezavisno od motora nape.

Možemo da podesimo brzine:

- Najniža brzina (1). Ovu brzinu koristiti kod manje količine isparavanja.
- Srednje brzine (2 i 3*). Ovu brzinu koristiti kod srednje količine isparavanja, na primer tokom istovremenog kuvanja više jela.
- Najviša brzina (4*). Ovu brzinu koristiti kod najveće količine isparavanja, na primer tokom prženja ili roštilja.

* Zavisi od modela

Tajmer (odgođeno isključenje nape)

Ova funkcija služi za odgađanje isključenja motora nape. Ovu funkciju koristiti posle kuvanja, za čišćenje od isparavanja vazduha u prostoriji. Maksimalno vreme odgađanja iznosi oko 90 minuta. Za uključivanje ove funkcije za vreme rada nape u bilo kojoj brzini jednom pritisnuti senzor . Na displeju počinje da treperi broj . Posle toga senzorima i izabrati vreme odgode isključenja u rasponu 1-9 (svaki nivo dodaje 10 minuta, na primer kod izbora broja 2, odgoda iznosi 20 min, a birajući broj 5, odgađamo isključenje za 50 min itd.). Opet dodirnuti senzor za aktiviranje funkcije. Treperenje tačke kod broja na displeju pokazuje da je ispravno podešeno vreme odgađanja isključenja. Za ranije isključivanje funkcije odgađanja pritisnuti senzor . Posle toga senzorom smanjiti vreme odgode do nule. Potvrditi poništavanje odgađanja isključenja nape senzorom . Funkcija odgađanja isključenja nape ne uzrokuje isključivanje osvetljenja.

Ostale važne informacije o upotrebi nape

Sistem kruženja vazduha: O ovom sistemu rada vazduh se posle filtriranja opet vraća u prostoriju kroz posebno prilagođene otvore. U ovom režimu montiramo ugljeni filter. Preporučena je i montaža vodilice ispusta vazduha (zavisno od modela, pojavljuje se kod kaminskih napa).

Sistem izbacivanja vazduha: Tokom usisnog režima rada nape vazduh je odvođen napolje specijalnim vodom. U ovoj konfiguraciji ukloniti potencijalni ugljeni filter. Napa je priključena na odvodni otvor za vazduh preko krutog ili elastičnog voda prečnika 150 mm ili 120 mm i odgovarajućih prirubnica vodova koje nabavljamo u trgovinama sa instalacionim materijalima. Priključivanje obavlja kvalifikovani instalater.

Brzina motora: Najnižu i srednju brzinu koristimo u normalnim uslovima i u slučaju male koncentracije isparenja, a najvišu koristimo samo kad je koncentracija kuhinjskih isparenja visoka, np. tokom prženja i grilanja.

Pažnja (tiče se samo univerzalnih napa): Konstrukcija univerzalnih napa zahteva ručnu promenu sistema rada nape. Način promene sistema rada je opisan na crtežu 8.

Pažnja (tiče se samo nameštajnih i teleskopskih napa): Nameštajne i teleskopske nape koje rade u režimu filtera mirisa zahtevaju montažu cevi za odvod vazduha. Drugi kraj cevi usmeriti prema prostoriji , kroz nju je dovoden filtrirani vazduh.

Pažnja: Viseće nape rade samo u režimu kruženja vazduha.

ČIŠĆENJE I ODRŽAVANJE

Održavanje

Regularno održavanje i čišćenje uređaja garantuje dobar i pouzdan rad nape i produžava njen životni vek. Posebnu pažnju obratiti da su filter za masnoću i filter sa aktivnim ugljenom čišćeni i menjani prema preporukama proizvođača.

- Ne koristiti mokre krpe, suđere niti mlaz vode.
 - Ne koristiti razređivače ni alkohol, jer mogu da zatamne lakirane površine.
 - Ne koristiti korozivne substancije, posebno prilikom čišćenja površina od nerđajućeg čelika.
 - Ne koristiti tvrde, grube krpe
 - Preporučena je upotreba vlažne krpe i neutralnih sredstava za pranje.
- Pažnja: Posle nekoliko pranja u mašini za sudove boja aluminijumskog filtera može da se promeni. Promena boje ne znači da je neispravan ili da je neophodna njegova zamena.

Filter za masnoću

Aluminijumski filter za masnoću čistiti najmanje jednom mesečno tokom normalnog rada nape, u mašini za sudove ili ručno pomoću delikatnog deterdženta ili tečnog sapuna.

Demontaža aluminijumskog filtera za masnoću pokazana je na crtežu 5. U nekim modelima je primenjen akrilni filter. Menjati ga najmanje jednom svaka 2 meseca ili češće u slučaju intenzivne upotrebe.

Ugljeni filter

Ugljeni filter se koristi samo kad je napa priključena u ventilacioni vod. Filter sa aktivnim ugljenom upija mirise dok se ne zasiti. Nije prikladan za pranje ni za regeneraciju i menjamo ga najmanje jednom svaka 2 meseca ili češće u slučaju intenzivne upotrebe.

Demontaža ugljenog filtera je prikazana na crtežu 6.

Osvetljenje

Koristiti sijalice / halogene / diodne module sa istim parametrima kao te koje su fabrički montirane u uređaju. Promena osvetljenja je prikazana na crtežu 7. Ako se crtež ne pojavljuje u uputstvu, promenu modula osvetljenja obavlja isključivo ovlašteni servis.

GARANCIJA, USLUGE POSLE PRODAJE

Garancija

Garantne usluge u skladu sa garantnim listom. Proizvođač ne snosi odgovornost za bilo kakvu štetu prouzrokovanu nepravilnom upotrebom proizvoda.



Proizvođač opreme preporučuje da sve popravke obavlja Fabrički ili Autorizovani Servis proizvođača. Popravke bi trebala da obavlja isključivo osoba sa odgovarajućim kvalifikacijama.

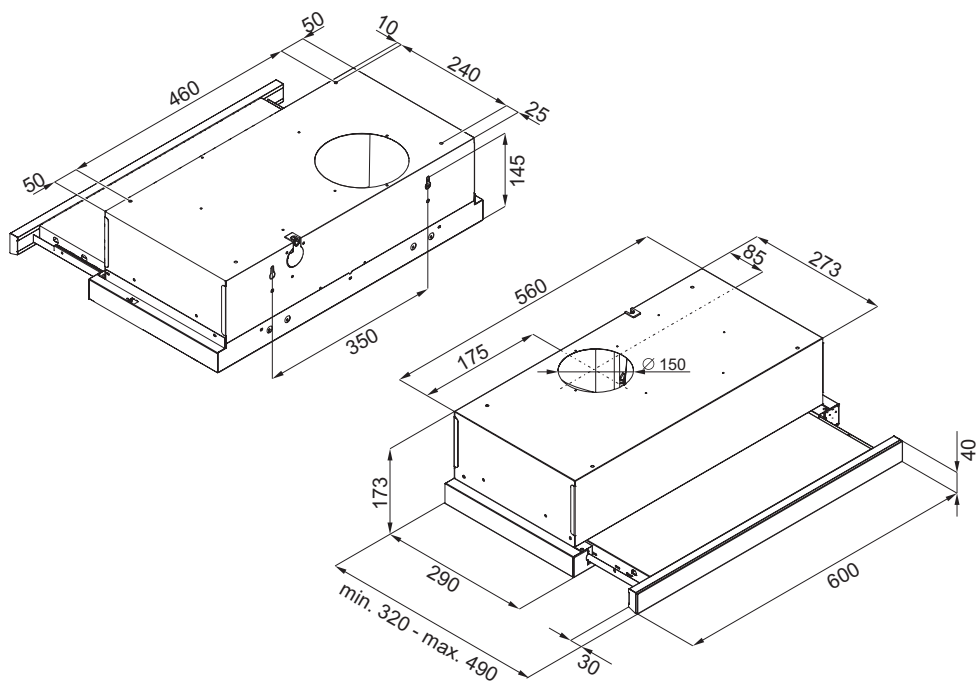
Izjava proizvođača

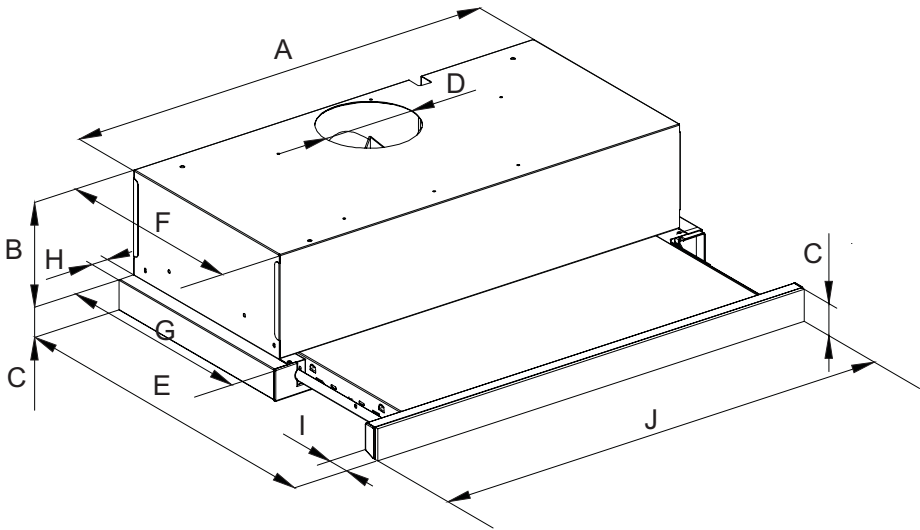
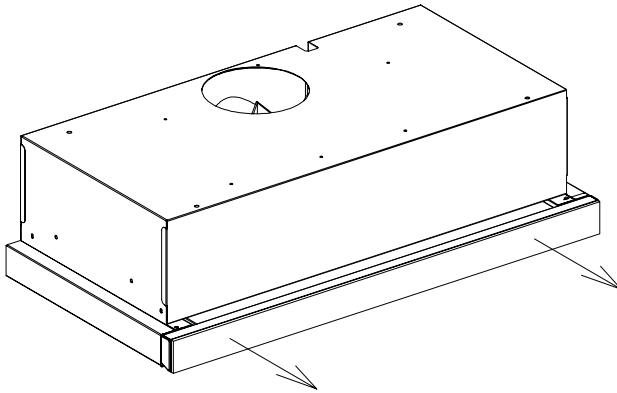
Proizvođač nižim izjavljuje da ovaj proizvod ispunjava osnovne uslove niže navedenih evropskih direktiva:

- **niskonaponske direktive 2014/35/UE**
- **direktive elektromagnetske kompatibilnosti 2014/30/UE**
- **direktive ekodizajna 2009/125/UE**
- **direktive RoHS 2011/65/UE**

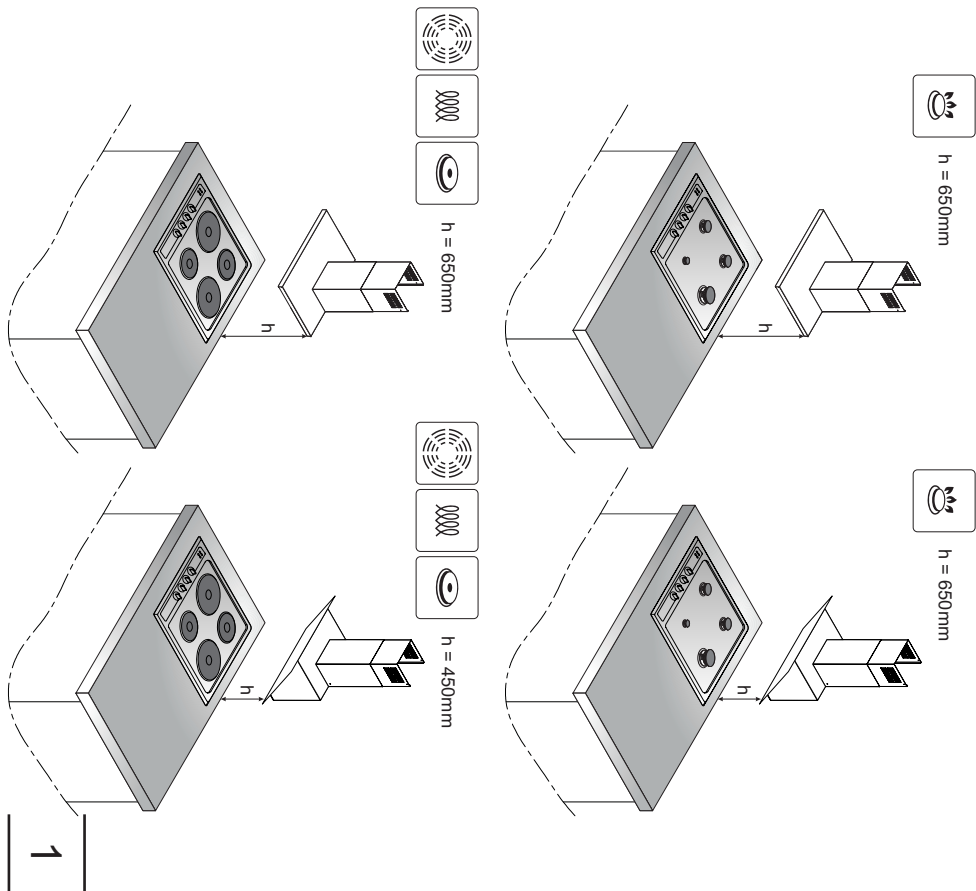
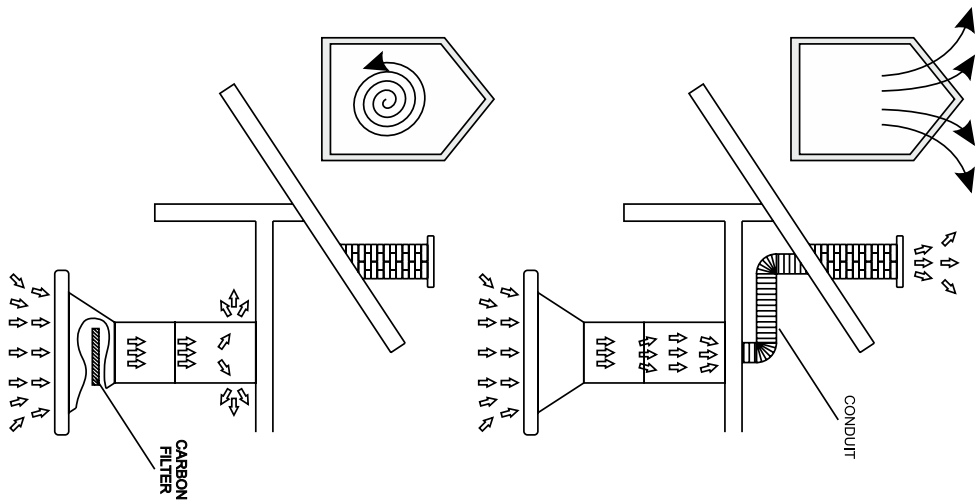
i zato je proizvod označen **CE** i poseduje deklaraciju usklađenosti koja je predčavana organima za nadzor tržišta.

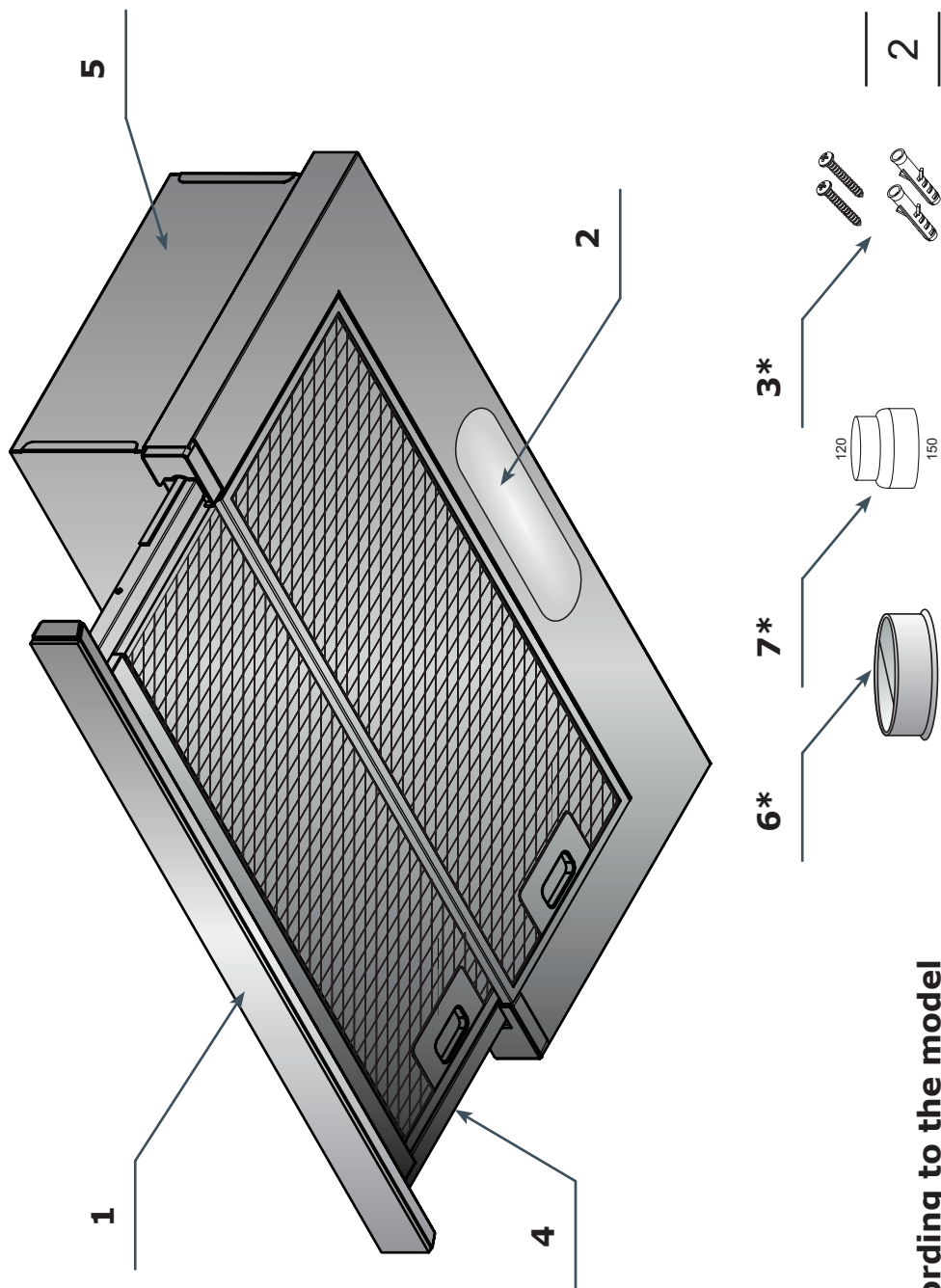
OTC6541...





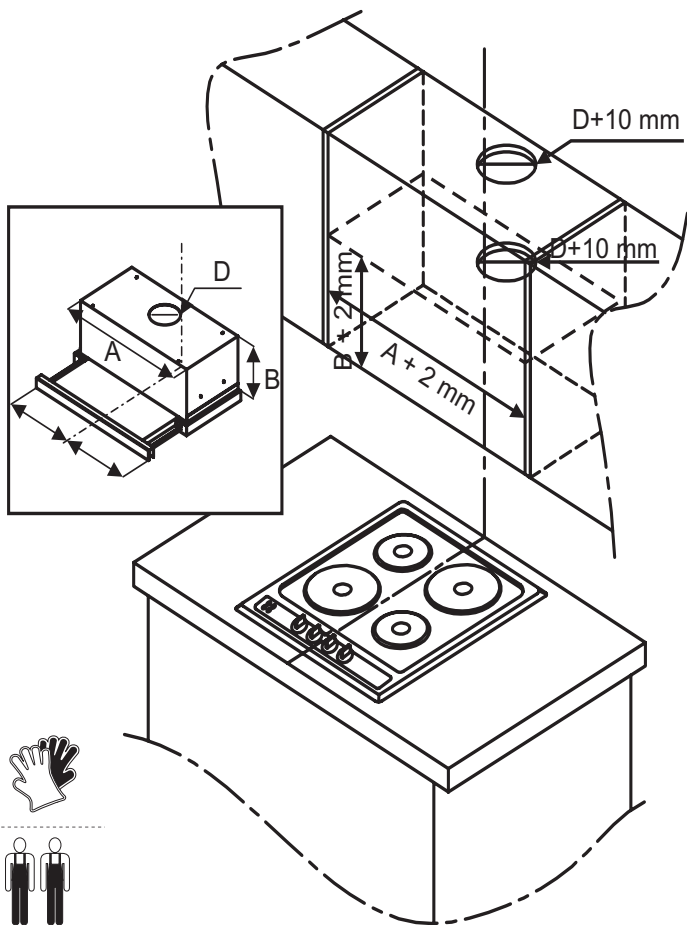
[mm]	OTC 611... / OTC 612... / OTC 613... / OTC6223BGH / OTC6223WGH / OT- C6211IH / OTC6222IH / OTC 6224...	OTC 614...
A	560	560
B	130	140
C	40	40
D	120	120
E	310 - 480	320 - 490
F	270	270
G	290	290
H	20	20
I	30	30
J	600	600



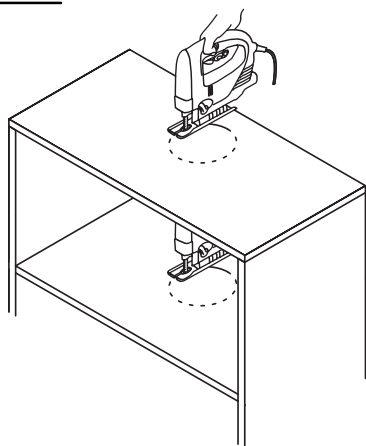


*** According to the model**

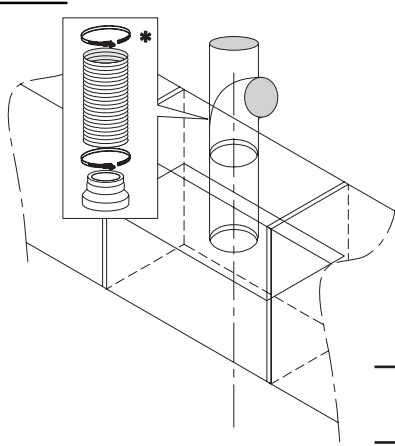
EN	HU	RO	UK	BG	RU	KK	LT	LV	ET	SR
1	Control Panel	Panel de comandă	Заглушка виходу повітря	Панел за управление	Заглушка выпуска воздуха	Баскару панелі	Oro angos akle	Gaisa izvades noslēgs	Juhtimispaneel	Poklopac odvoda vazduha
2	Lighting	Sistem de iluminare	Направляюча повітря	Осветление	Воздушная заслонка	Жарыктан-дыру	Oro kreiptuvas	Gaisvads	Valgustus	Usmerivač vazduha
3	Screws and wall plugs	Șurubii și dibluri	Макс. потужність	Дюбели и винтовe	Макс. мощность	Бурендалар және керпіш шпифтер	Didžiausia galia	Maks. jauda	Kruvid ja tüübid	Snaega max
4	Telescopic front	Față telescopice	Верхній декоративний корпус	Телескопичен фронт	Верхняя рама	Телескопичный фронт	Viršutinė dengiamoji juosta	Augšējais režģis	Teleskoopfront	Gornja lajsna
5	Hood body	Corpul hoteli de bucătărie	Корпус на вытяжна труба	Корпус на абсорбатора	Воздухоотвод	Соргыш корпусы	Šalinamasis vamzdis	Novadīšanas caurule	Õhupuuhasti korpus	Odvodno crevo
6	Air flaps	Visszacsapó szelepek	Панель управління	Възвратни клапи	Панель управления	Кері жапқыштар	Valdymo skydas	Vadības panelis	Tagasivooluk-lapid	Komandna ploča
7	Connecting piece	Csatlakozó csőcsomok	Приєднувальний патрубк	Присоединительный патрубок	Присоединительный патрубок	Жалгасты-рыш келте құбыр	Jungiamasis atvamzdis	Pieslēguma īscaurule	Ühendustoru	Priključak



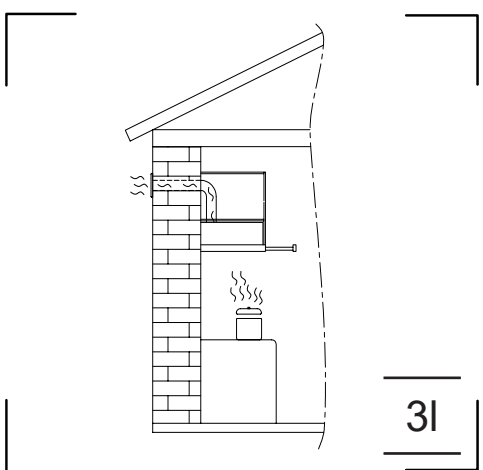
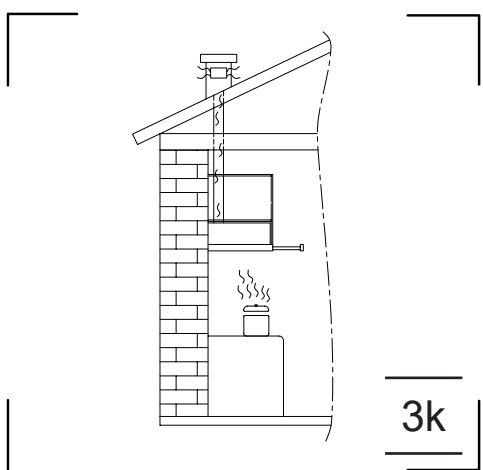
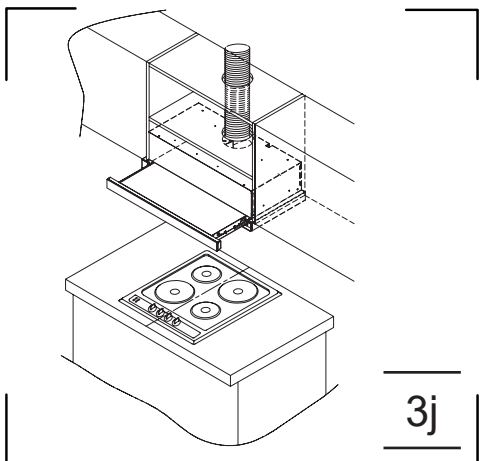
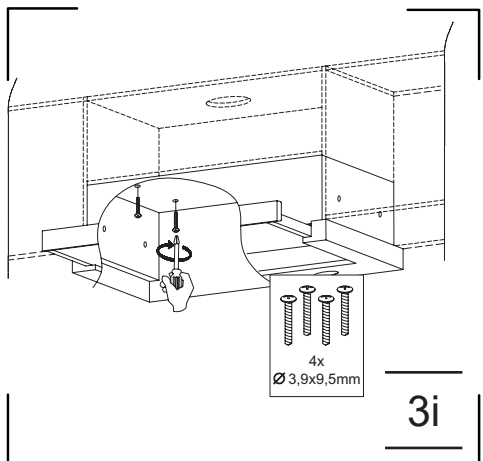
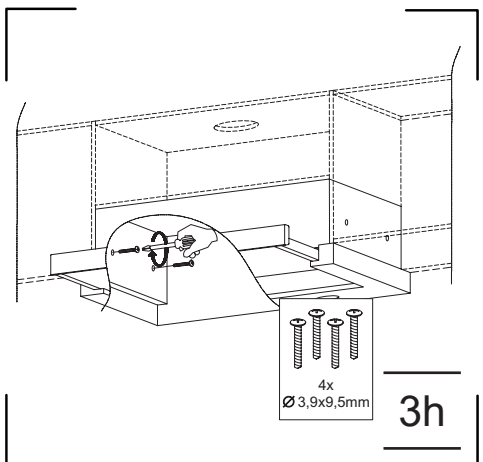
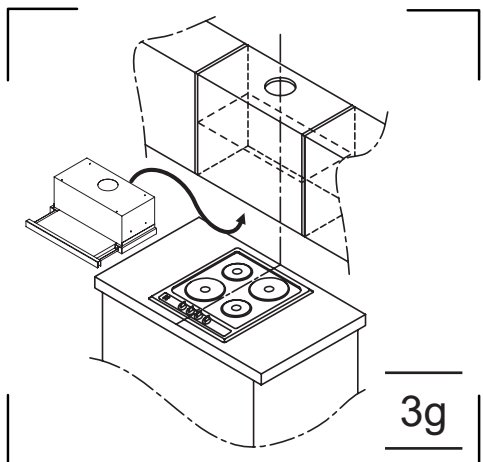
3d

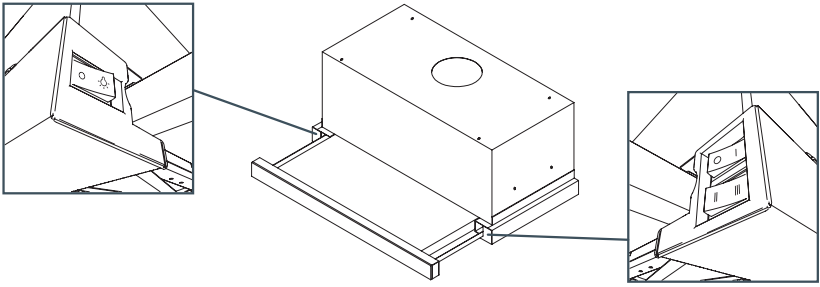
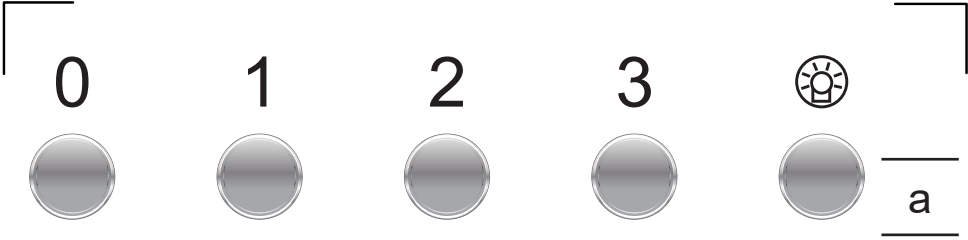


3e

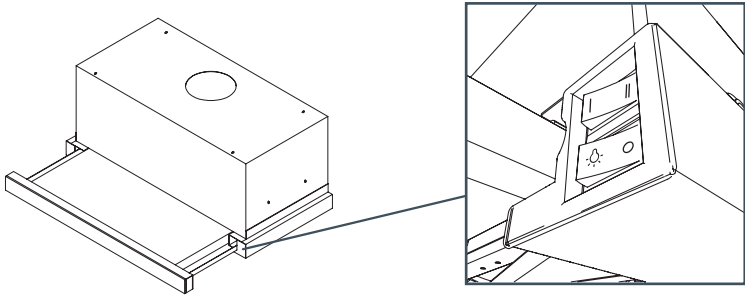


3f

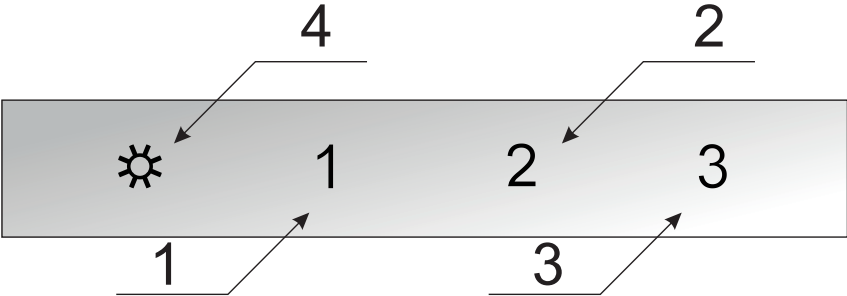




b

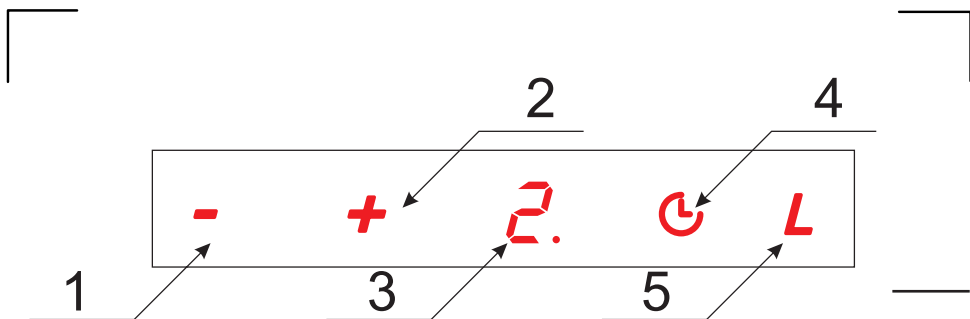


c



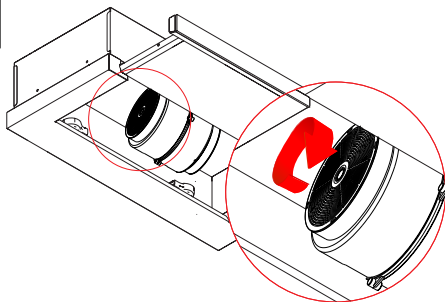
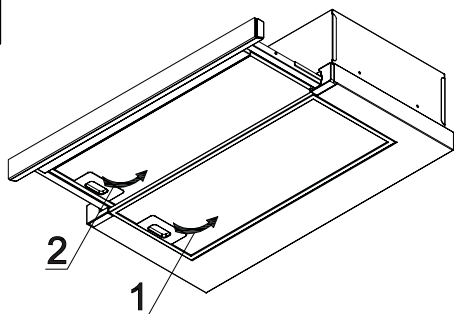
d

4



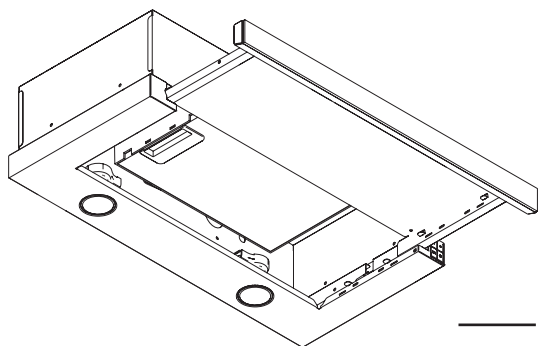
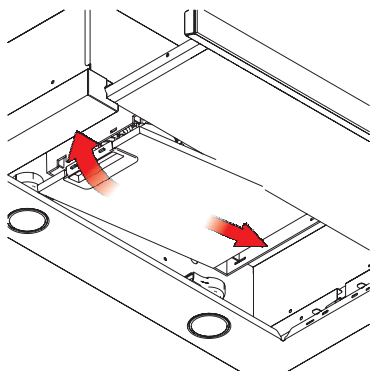
e

4

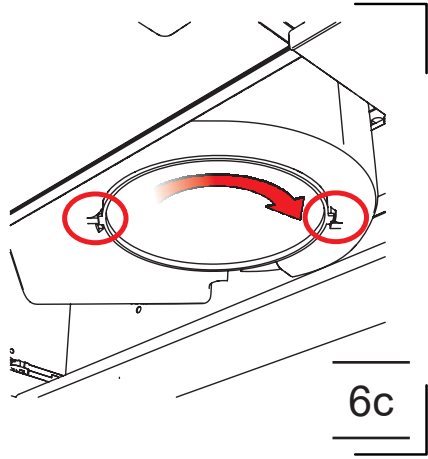
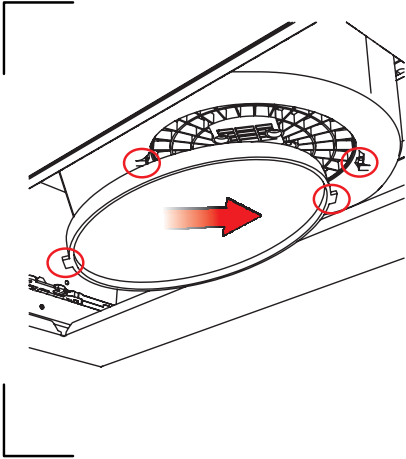


5

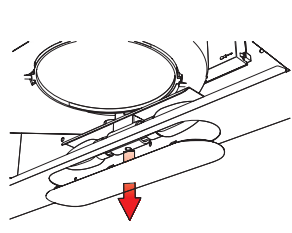
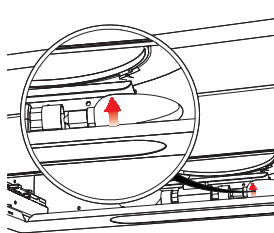
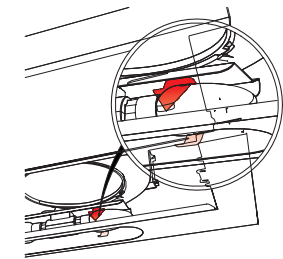
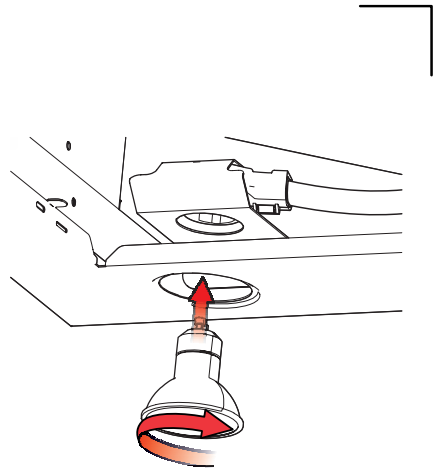
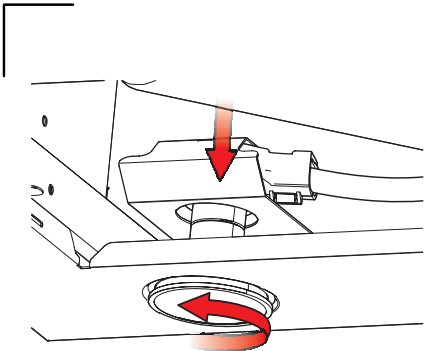
6a



6b



6c



7

Компания изготовитель

Амика С.А., Польша, 64-510 Вронки, ул. Мицкевича, 52
Тел. +48 67 25 46100, факс +48 67 25 40 320

Amica S.A., ul. Mickiewicza 52, 64-510 Wronki
tel. 67 25 46 100, fax 67 25 40 320

Сделано в Польше



**Претензии по качеству
направлять в / Импортер на территорию РФ**

ООО «Ханса», Осенний бульвар, д.23, офис 1307
Тел. +7 (495) 721-36-61/62 факс +7 (495) 721-36-63